



# ENAPART



93 S Railroad Avenue Unit C  
Bergenfield NJ 07621 USA  
[www.enapart.com](http://www.enapart.com)  
[sales@enapart.com](mailto:sales@enapart.com)



Via del Canneto 35,  
Borgosatollo, Brescia - Italia  
[www.enapart.it](http://www.enapart.it)  
[vendite@enapart.it](mailto:vendite@enapart.it)



Barbaros Mah. Ihlamur Bul. Aĝaoĝlu  
My Newwork No:3/15 Ataşehir / İstanbul  
[www.enapart.net](http://www.enapart.net)  
[satis@enapart.net](mailto:satis@enapart.net)



PRIVADA 10 B SUR #3908 COL.  
ANZUREZ, C.P. 72530, PUEBLA, PUE  
[www.enapart.com.mx](http://www.enapart.com.mx)  
[sales@enapart.com.mx](mailto:sales@enapart.com.mx)



Friedrich-Ebert-Anlage 36, 60325  
Frankfurt am Main, Germany  
[www.enapart.de](http://www.enapart.de)  
[anfrage@enapart.de](mailto:anfrage@enapart.de)



4 boulevard Carnot, 95400  
villiers-le-bel, Paris, France  
[www.enapart.fr](http://www.enapart.fr)  
[sales@enapart.fr](mailto:sales@enapart.fr)



65049, ОДЕСА, ВУЛИЦЯ ІВАНА  
ФРАНКА, БУДИНОК 55, ПОВЕРХ 3  
[www.enapart.com.ua](http://www.enapart.com.ua)  
[sales@enapart.com.ua](mailto:sales@enapart.com.ua)



MUNICIPIUL BUCUREȘTI, SECTOR 3,  
B-DUL BASARABIA, NR.250, CORP P+5  
[www.enapart.ro](http://www.enapart.ro)  
[sales@enapart.ro](mailto:sales@enapart.ro)



〒584-0023 大阪府富田林市若松町  
東2丁目2番16号  
[www.enapart.co.jp](http://www.enapart.co.jp)  
[sales@enapart.co.jp](mailto:sales@enapart.co.jp)



PLAZA NUESTRA SEÑORA DE LAS  
NIEVES 12 ,LOCAL ,50012,ZARAGOZA  
[www.enapart.es](http://www.enapart.es)  
[ventas@enapart.es](mailto:ventas@enapart.es)



Складова база „Онгъл“, Склад А2, п.к.  
4006, гр. Пловдив, България  
[www.enapart.bg](http://www.enapart.bg)  
[sales@enapart.bg](mailto:sales@enapart.bg)



3 Austin Mews, High Street, Hemel  
Hempstead, HP1 3AF , United Kingdom  
[www.enapart.co.uk](http://www.enapart.co.uk)  
[sales@enapart.co.uk](mailto:sales@enapart.co.uk)





















































• AC • M938AP series



# 92x92x38mm / 3.6x1.5inch

## Max. 55 CFM

Metal Impeller, IP55

Sinwan Model No.	Rated Voltage	Voltage Range	Freq.	Input Power	Referenced Speed	Max. Airflow		Max. Static Pressure		Noise Level	PQ Curves
	VAC	VAC	Hz	Watt	RPM	CFM	m3/min	Inch/H2O	mm	dB (A)	
M938AP11-1**	115	100~120	50/60	17/15	2700/3150	45/55	1.3/1.6	0.17/0.22	4.32/5.59	40	2 / 1
M938AP11-2**	115	100~120	50/60	13/11	2350/2600	36/42	1/1.2	0.14/0.16	3.56/4.06	33	4 / 3
M938AP11-3**	115	100~120	50/60	9/7	1950/1850	29/27	0.8/0.8	0.12/0.11	3.05/2.79	23	6 / 5
M938AP22-1**	230	200~240	50/60	17/15	2700/3150	45/55	1.3/1.6	0.17/0.22	4.32/5.59	40	2 / 1
M938AP22-2**	230	200~240	50/60	13/11	2350/2600	36/42	1/1.2	0.14/0.16	3.56/4.06	33	4 / 3
M938AP22-3**	230	200~240	50/60	9/7	1950/1850	29/27	0.8/0.8	0.12/0.11	3.05/2.79	23	6 / 5
M938AP2-1**	12	12~14	50/60	17/15	2700/3150	45/55	1.3/1.6	0.17/0.22	4.32/5.59	40	2 / 1
M938AP4-1**	24	24~28	50/60	17/15	2700/3150	45/55	1.3/1.6	0.17/0.22	4.32/5.59	40	2 / 1
M938AP6-1**	28	28~34	50/60	17/15	2700/3150	45/55	1.3/1.6	0.17/0.22	4.32/5.59	40	2 / 1
M938AP8-1**	48	48~58	50/60	17/15	2700/3150	45/55	1.3/1.6	0.17/0.22	4.32/5.59	40	2 / 1
M938AP38-1**	380	380~420	50/60	17/15	2700/3150	45/55	1.3/1.6	0.17/0.22	4.32/5.59	40	2 / 1
M938AP44-1**	440	440~480	50/60	17/15	2700/3150	45/55	1.3/1.6	0.17/0.22	4.32/5.59	40	2 / 1
M938AP11/22-1** (dual voltage)	115 230	100~120 200~240	50/60	17/15	2700/3150	45/55	1.3/1.6	0.17/0.22	4.32/5.59	40	2 / 1

\*\* = "WB" for wire lead type Ball bearing, or "TB" for terminal type Ball bearing.

- 100, 200, 240V or special voltages 12, 24, 28, 38, 42, 48, 380, 440, 480V... 50/60Hz, & any voltages available.
- Dual speed High/Medium 1/2, Medium/Low 2/3 available on request.
- Sinwan reserves the right to change data and improve electrical & mechanical design without notice. data tolerance +-10%

#### Motor

Motor Type: Shaded pole induction motor, outer rotor, 1-phase  
 Burnout Protection: Impedance protected  
 IP Protection: IP55

#### Mechanical

Frame: Aluminum die cast, black color(AP)  
 Impeller: 7 blades, all metal  
 Bearing: Two ball bearings  
 Rotation: CCW seen on rotor  
 Connection: Wire lead or terminal flat pin connecting  
 Weight: 480 g

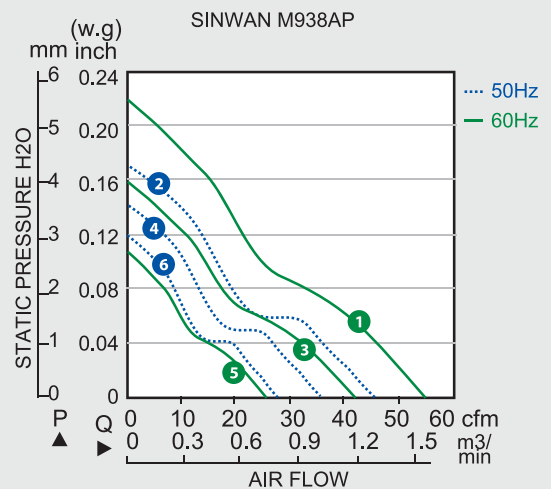
#### Electrical

Dielectric Strength: Over 1 min. at 1,500 VAC, 0.5mA, 50/60 Hz  
 Insulation Resistance: Over 100 MΩ at DC 500V  
 Signal Output: Optional: tachometer output

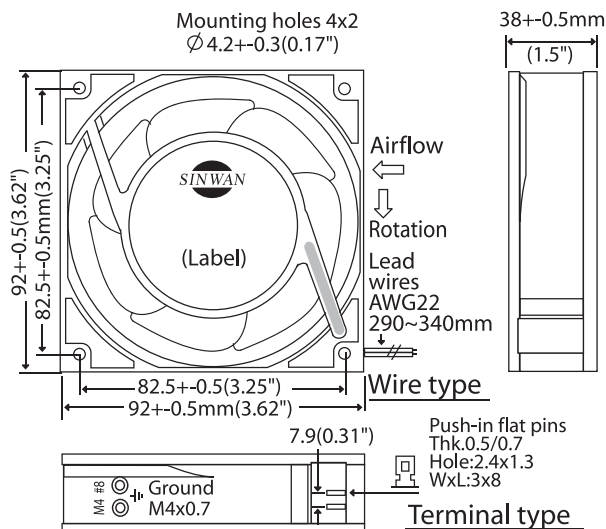
#### Environment

Operating Temp: Ambient non-condensing -30°C~+80°C  
 Storage Temp: -40°C~+100°C (at 65%RH)  
 Life Expectancy: L10 50K hours at 55°C

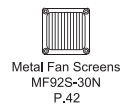
#### ► Performance P-Q Curves



#### ► Outline Dimensions



#### Fan Accessories





# 80x80x38mm / 3x1.5inch

## Max. 33 CFM

Metal Impeller, IP55

Sinwan Model No.	Rated Voltage	Voltage Range	Freq.	Input Power	Referenced Speed	Max. Airflow		Max. Static Pressure		Noise Level	PQ Curves
	VAC	VAC	Hz	Watt	RPM	CFM	m3/min	Inch/H2O	mm	dB (A)	
M838AP11-1**	115	100~120	50/60	15/13	2750/3200	28/33	0.8/0.9	0.15/0.18	3.81/4.57	35	2 / 1
M838AP11-2**	115	100~120	50/60	12/10	2200/2500	23/26	0.7/0.7	0.12/0.14	3.05/3.56	30	4 / 3
M838AP11-3**	115	100~120	50/60	8/6	1700/1900	18/21	0.5/0.6	0.07/0.08	1.78/2.03	23	6 / 5
M838AP22-1**	230	200~240	50/60	15/13	2750/3200	28/33	0.8/0.9	0.15/0.18	3.81/4.57	35	2 / 1
M838AP22-2**	230	200~240	50/60	12/10	2200/2500	23/26	0.7/0.7	0.12/0.14	3.05/3.56	30	4 / 3
M838AP22-3**	230	200~240	50/60	8/6	1700/1900	18/21	0.5/0.6	0.07/0.08	1.78/2.03	23	6 / 5
M838AP2-1**	12	12~14	50/60	15/13	2750/3200	28/33	0.8/0.9	0.15/0.18	3.81/4.57	35	2 / 1
M838AP4-1**	24	24~28	50/60	15/13	2750/3200	28/33	0.8/0.9	0.15/0.18	3.81/4.57	35	2 / 1
M838AP6-1**	28	28~34	50/60	15/13	2750/3200	28/33	0.8/0.9	0.15/0.18	3.81/4.57	35	2 / 1
M838AP8-1**	48	48~58	50/60	15/13	2750/3200	28/33	0.8/0.9	0.15/0.18	3.81/4.57	35	2 / 1
M838AP38-1**	380	380~420	50/60	15/13	2750/3200	28/33	0.8/0.9	0.15/0.18	3.81/4.57	35	2 / 1
M838AP44-1**	440	440~480	50/60	15/13	2750/3200	28/33	0.8/0.9	0.15/0.18	3.81/4.57	35	2 / 1
M838AP11/22-1** (dual voltage)	115 230	100~120 200~240	50/60	15/13	2750/3200	28/33	0.8/0.9	0.15/0.18	3.81/4.57	35	2 / 1

\*\* = "WB" for wire lead type Ball bearing, or "TB" for terminal type Ball bearing.

- 100, 200, 240V or special voltages 12, 24, 28, 38, 42, 48, 380, 440, 480V... 50/60Hz, & any voltages available.
- Dual speed High/Medium 1/2, Medium/Low 2/3 available on request.
- Sinwan reserves the right to change data and improve electrical & mechanical design without notice. data tolerance +-10%

### Motor

Motor Type: Shaded pole induction, outer rotor, 1-phase  
 Burnout Protection: Impedance protected  
 IP Protection: IP55

### Mechanical

Frame: Aluminum die cast, black color(AP)  
 Impeller: 9 blades, all metal  
 Bearing: Two ball bearings  
 Rotation: CCW seen on rotor  
 Connection: Wire lead or terminal flat pin connecting  
 Weight: 430

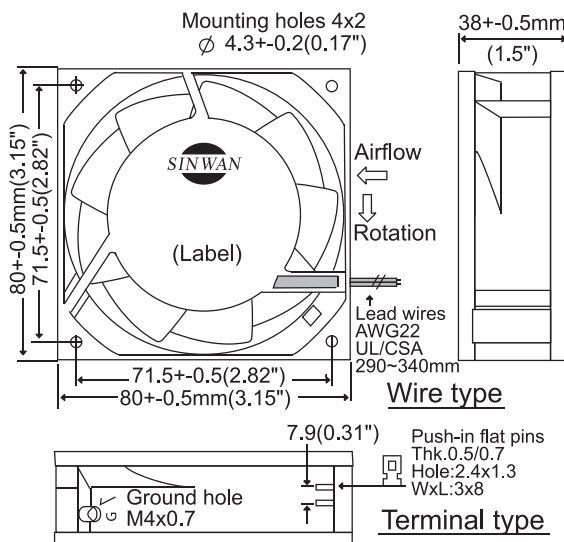
### Electronical

Dielectric Strength: Over 1 min. at 1,500 VAC, 0.5mA, 50/60 Hz  
 Insulation Resistance: Over 100 MΩ at DC 500V  
 Signal Output: Optional: tachometer output

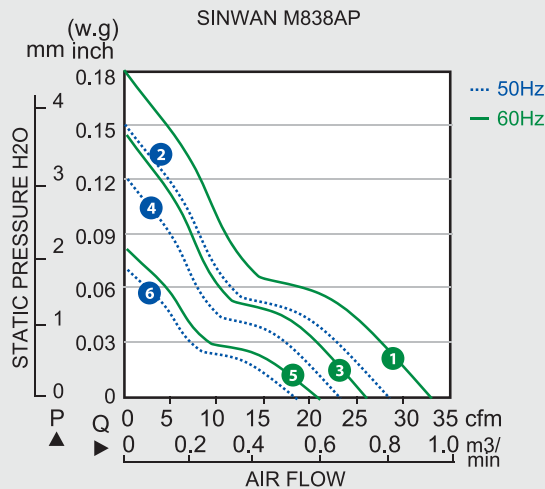
### Environment

Operating Temp: Ambient non-condensing -30°C~+80°C  
 Storage Temp: -40°C~+100°C (at 65%RH)  
 Life Expectancy: L10 50K hours at 55°C

### Outline Dimensions



### Performance P-Q Curves



### Fan Accessories

- Metal Fan Guards  
G80-18  
P.39
- Plastic Fan Guards  
G80P, G80P2, G80P4  
P.40
- Plastic Fan Filter  
GRM80-30, GRM80-45  
P.41
- Metal Fan Screens  
MF80S-30N  
P.42

# AC Metal Skeleton Fans



MK838(Dia.75x41mm/3inch)  
Air Flow: 33~18 CFM



MK938(Dia.85x41mm/3.5inch)  
Air Flow: 55~27 CFM



MK1232(Dia.113x36mm/4.5inch)  
Air Flow: 73~36 CFM



MK109(Dia.113x41mm/4.5inch)  
Air Flow: 105~60 CFM



MK127(Dia.120x41mm/5inch)  
Air Flow: 128~65 CFM



MK150(Dia.140x44mm/6inch)  
Air Flow: 195~100 CFM



MK172E(Dia.140x56mm/6inch)  
Air Flow: 210~95 CFM



MK180F(Dia.168x79mm/6.5inch)  
Air Flow: 390~200 CFM



MK200RAN(Dia.172x87mm/6.8inch)  
Air Flow: 485~160 CFM



MK205(Dia.197x79mm/7.8inch)  
Air Flow: 630~220 CFM

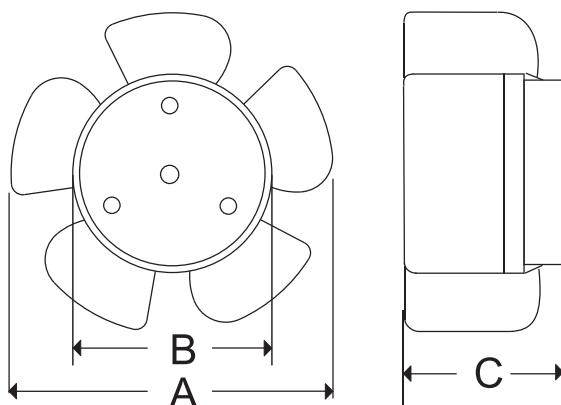


MK254GAN(Dia.219x87mm/8.5inch)  
Air Flow: 1000~370 CFM



MK280GAN(Dia.245x87mm/10inch)  
Air Flow: 1300~450 CFM

## Information



### Model No./Series

MK838  
MK938  
MK1232  
MK109  
MK127  
MK150  
MK172E  
MK180F  
MK200RAN  
MK205  
MK254GAN  
MK280GAN

### Dimensions AxBxC mm (inch)

AxBxC  
75x59x41 (2.95x2.32x1.61")  
85x59x41 (3.35x2.32x1.61")  
113x59x36 (4.45x2.32x1.42")  
113x59x41 (4.45x2.32x1.61")  
120x59x41 (5x2.32x1.61")  
140x74.5x44 (5.51x2.93x1.69")  
140x74.5x56 (5.51x2.93x2.20")  
168x92x79 (6.61x3.62x3.11")  
172x92x87 (6.77x3.62x3.43)  
197x92x79 (7.75x3.62x3.11)  
219x92x87 (8.62x3.62x3.43)  
245x92x87 (9.65x3.62x3.43)

- 100, 200, 240V or special voltages 12, 24, 28, 38, 42, 48, 380, 440, 480V... 50/60Hz, & any voltages available.
- Dual speed High/Medium 1/2, Medium/Low 2/3 available on request.
- Sinwan reserves the right to change data and improve electrical & mechanical design without notice.

# DC All Metal Impeller Axial Fans



## Model Information

**MD 180F AP – 48 H W B ( RFP )**

### Series Name

MD-Meal Impeller  
MDK-Skeleton Metal Impeller

### Frame Size(mm)

280G: 280x280x88.9mm	Max.1200 CFM
254G: Dia.254x88.9mm	Max.1030 CFM
254: Dia.254x88.9mm	Max.950 CFM
254: Dia.254x88.9mm	Max.820 CFM
200: Dia.225x80mm	Max.815 CFM
200R: Dia.200x70mm	Max.510 CFM
180G: 176x176x89mm	Max.485 CFM
180F: 180x180x65mm	Max.480 CFM
175E: 172x150x55mm	Max.335 CFM
175R: Dia.172x51mm	Max.325 CFM
175S: 172x150x51mm	Max.325 CFM
173: 172x150x38.5mm	Max.270 CFM

### Voltage(VDC)

05-5V  
12-12V  
24-24V  
48-48V

### Frame

AP-Aluminum die casting Black Color  
AN-Aluminum die casting Natural Treatment  
ZP-Zinc, Black Color  
ZN-Zinc, Natural Treatment

### Function

R-R/D Alarm  
F-F/G Tachometer  
Speed Controls  
C-S/C Thermister NTC  
P-PWM,Pulse Width Modulation  
V-S/V Control Voltage  
Speed setting

### Bearing

B-Two Ball Bearings

### Connecting

W-Wire Lead Type  
T-Terminal push-in  
Flat Pins Type  
or Terminal Block

### Speed

SH-Super High Speed  
H-High Speed  
M-Medium Speed  
L-Low Speed  
H(HH)-Extra High Speed  
L(LL)-Extra Low Speed



# 280x280x88.9mm / 11x3.5inch

## Max. 1200 CFM

Metal Impeller DC Fan

Sinwan Model No.	Rated Voltage	Voltage Range	Input Power	Rated Current	Referenced Speed	Max. Airflow		Max. Static Pressure		Noise Level	PQ Curves
	VDC	VDC	Watt	A	RPM	CFM	m3/min	Inch/H2O	mm	dB (A)	
MD280GAN-12H**7	12	9~13.5	125~135	10.4~11.3	2500	1150	32.6	0.90	22.86	70	H
MD280GAN-12M**7	12	9~13.5	80~90	6.7~7.5	2200	950	26.9	0.65	16.51	56	M
MD280GAN-12L**7	12	9~13.5	52~62	4.3~5.2	1800	780	22.1	0.51	12.95	48	L
MD280GAN-24H**7	24	18~27.6	125~135	5.2~5.6	2550	1200	34	0.90	22.86	72	H
MD280GAN-24M**7	24	18~27.6	80~90	3.3~3.8	2200	950	26.9	0.65	16.51	56	M
MD280GAN-24L**7	24	18~27.6	52~62	2.2~2.6	1800	780	22.1	0.51	12.95	48	L
MD280GAN-48H**7	48	24~55	125~135	2.6~2.8	2550	1200	34	0.90	22.86	72	H
MD280GAN-48M**7	48	24~58	80~90	1.7~1.9	2200	950	26.9	0.65	16.51	56	M
MD280GAN-48L**7	48	24~60	52~62	1.1~1.3	1800	780	22.1	0.51	12.95	48	L

\*\* = "WB" for wire lead type Ball bearing, or "TB" for terminal type Ball bearing.

• Sinwan reserves the right to change data and improve electrical & mechanical design without notice. data tolerance +-10%

### Motor

Motor Type: Microprocessor brushless DC Motor, auto cutoff, auto restart  
 Burnout Protection: Electronically protected, polarity protected

### Mechanical

Frame: Aluminum die cast, natural color(AN)  
 Impeller: 7 blades, all metal  
 Bearing: Two ball bearings  
 Rotation: CCW seen on rotor  
 Connection: Wire lead or terminal flat pin connecting  
 Weight: 2,950g

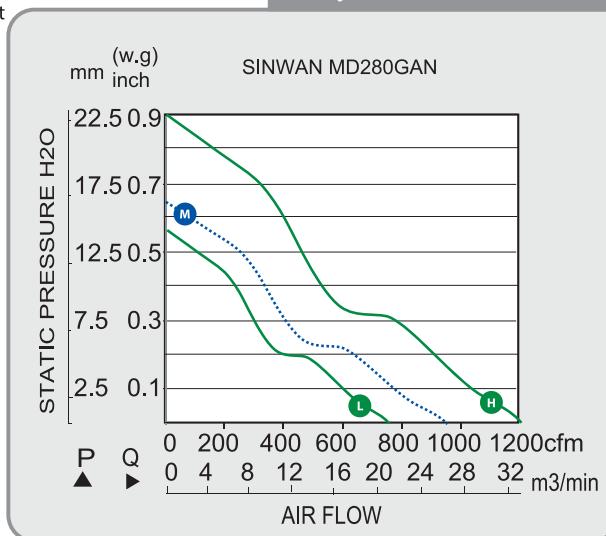
### Electrical

Dielectric Strength: 500 VAC/min. Max leakage 500mA  
 Speed Control: Optional:PWM, S/C NTC thermister, S/V (0~10V) speed control on request  
 Signal Output: Optional:R/D alarm output, tachometer output

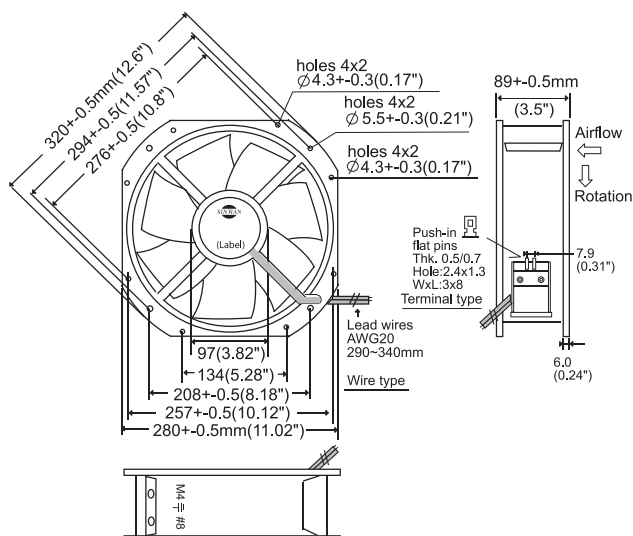
### Environment

Operating Temp: -20°C~+65°C (non-condensing)  
 Storage Temp: -40°C~+80°C (at 65%RH)  
 Life Expectancy: L10 50K hours at 50°C

### ► Performance P-Q Curves



### ► Outline Dimensions



### Fan Accessories



CE



**Dia.254x88.9mm / 10x3.5inch**

**Max. 980 CFM**

**Metal Impeller DC Fan**

Sinwan Model No.	Rated Voltage	Voltage Range	Input Power	Rated Current	Referenced Speed	Max. Airflow		Max. Static Pressure		Noise Level	PQ Curves
	VDC	VDC	Watt	A	RPM	CFM	m3/min	Inch/H2O	mm	dB (A)	
MD254AN-12SH**7	12	9~13	64.8	5.4	2900	950	26.9	1.1	27.94	72	SH
MD254AN-12HH**7	12	9~13	50.4	4.2	2500	820	23.2	0.95	24.13	68	HH
MD254AN-12H**7	12	9~13	23	1.9	2000	660	18.7	0.76	19.3	61	H
MD254AN-12M**7	12	9~14	13.2	1.1	1600	530	15	0.61	15.49	50	M
MD254AN-12L**7	12	10~16	5.5	0.45	1100	360	10.2	0.42	10.67	40	L
MD254AN-24SH**7	24	16~27	63.6	2.65	3000	980	27.8	1.13	28.7	72	SH
MD254AN-24HH**7	24	16~27	50.4	2.1	2500	820	23.2	0.95	24.13	68	HH
MD254AN-24H**7	24	16~27	24	0.97	2000	660	18.7	0.76	19.3	61	H
MD254AN-24M**7	24	16~27.6	13	0.52	1600	530	15	0.61	15.49	50	M
MD254AN-24L**7	24	18~30	5	0.2	1100	360	10.2	0.42	10.67	40	L
MD254AN-48SH**7	48	24~53	62.4	1.3	3000	980	27.8	1.13	28.7	72	SH
MD254AN-48HH**7	48	24~53	49.4	1.03	2500	820	23.2	0.95	24.13	68	HH
MD254AN-48H**7	48	24~53	23.5	0.48	2000	660	18.7	0.76	19.3	61	H
MD254AN-48M**7	48	28~58	14.5	0.3	1600	530	15	0.61	15.49	50	M
MD254AN-48L**7	48	28~63	5.8	0.12	1100	360	10.2	0.42	10.67	40	L

\*\* = "WB" for wire lead type Ball bearing, or "TB" for terminal type Ball bearing.

• Sinwan reserves the right to change data and improve electrical & mechanical design without notice. data tolerance +-10%

► Performance P-Q Curves

Motor

Motor Type: Microprocessor brushless DC Motor, auto cutoff, auto restart  
Burnout Protection: Electronically protected, polarity protected

Mechanical

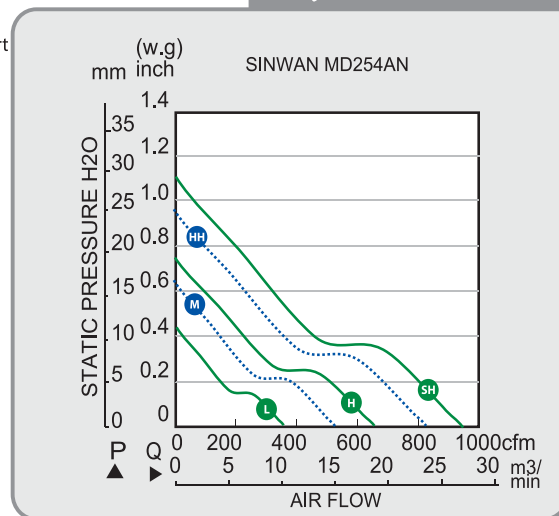
Frame: Aluminum die cast, natural color(AN)  
Impeller: 7 blades, all metal  
Bearing: Two ball bearings  
Rotation: CCW seen on rotor  
Connection: Wire lead or terminal flat pin connecting  
Weight: 2,300g (5.07 Lbs)

Electronical

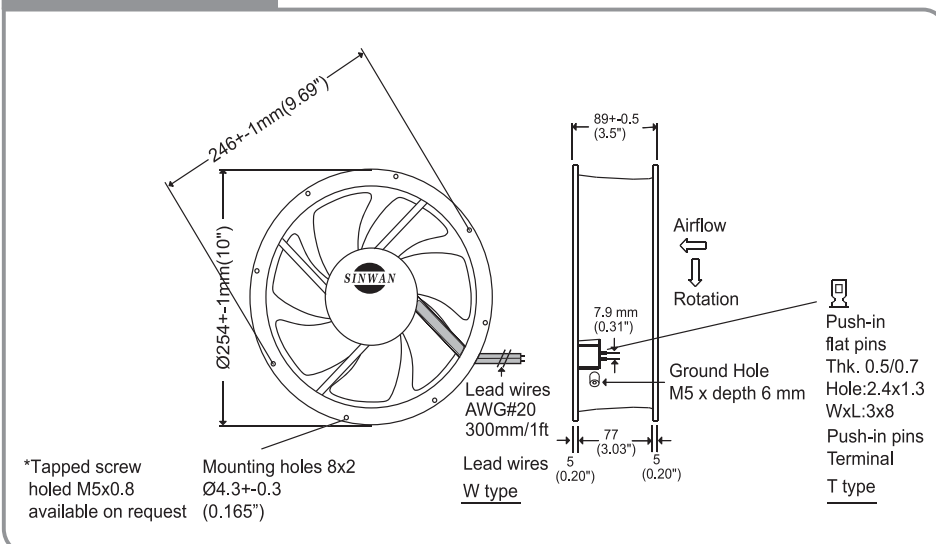
Dielectric Strength: 500 VAC/min. Max leakage 500mA  
Speed Control: Optional:PWM, S/C NTC thermister, S/V (0~10V) speed control on request  
Signal Output: Optional:R/D alarm output, tachometer output

Environment

Operating Temp: -20°C~+65°C (non-condensing)  
Storage Temp: -40°C~+80°C (at 65%RH)  
Life Expectancy: L10 50K hours at 50°C



► Outline Dimensions



Fan Accessories



Metal Fan Guards  
G254-9D, G254-9DU  
P.39



**Dia.254x88.9mm / 10x3.5inch**

**Max. 820 CFM**

**Metal Impeller DC Fan**

Sinwan Model No.	Rated Voltage	Voltage Range	Input Power	Rated Current	Referenced Speed	Max. Airflow		Max. Static Pressure		Noise Level	PQ Curves
	VDC	VDC	Watt	A	RPM	CFM	m3/min	Inch/H2O	mm	dB (A)	
MD254AP-12SH**3	12	9~13	64.8	5.4	2900	800	22.7	0.57	14.48	66	SH
MD254AP-12HH**3	12	9~13	50.4	4.2	2500	685	19.4	0.48	12.19	62	HH
MD254AP-12H**3	12	9~13	23	1.9	2000	550	15.6	0.38	9.65	55	H
MD254AP-12M**3	12	9~14	13.2	1.1	1600	450	12.7	0.33	8.38	45	M
MD254AP-12L**3	12	10~16	5.5	0.45	1100	330	9.3	0.25	6.35	36	L
MD254AP-24SH**3	24	16~27	63.6	2.65	3000	820	23.2	0.59	14.99	66	SH
MD254AP-24HH**3	24	16~27	50.4	2.1	2500	685	19.4	0.48	12.19	62	HH
MD254AP-24H**3	24	16~27	24	0.97	2000	550	15.6	0.38	9.65	55	H
MD254AP-24M**3	24	16~27.6	13	0.52	1600	450	12.7	0.33	8.38	45	M
MD254AP-24L**3	24	18~30	5	0.2	1100	330	9.3	0.25	6.35	36	L
MD254AP-48SH**3	48	24~53	62.4	1.3	3000	820	23.2	0.59	14.99	66	SH
MD254AP-48HH**3	48	24~53	49.4	1.03	2500	685	19.4	0.48	12.19	62	HH
MD254AP-48H**3	48	24~53	23.5	0.48	2000	550	15.6	0.48	12.19	62	H
MD254AP-48M**3	48	28~58	14.5	0.3	1600	450	12.7	0.33	8.38	45	M
MD254AP-48L**3	48	28~63	5.8	0.12	1100	330	9.3	0.25	6.35	36	L

\*\* = "WB" for wire lead type Ball bearing, or "TB" for terminal type Ball bearing.

• Sinwan reserves the right to change data and improve electrical & mechanical design without notice. data tolerance +-10%

► Performance P-Q Curves

Motor

Motor Type: Microprocessor brushless DC Motor, auto cutoff, auto restart  
Burnout Protection: Electronically protected, polarity protected

Mechanical

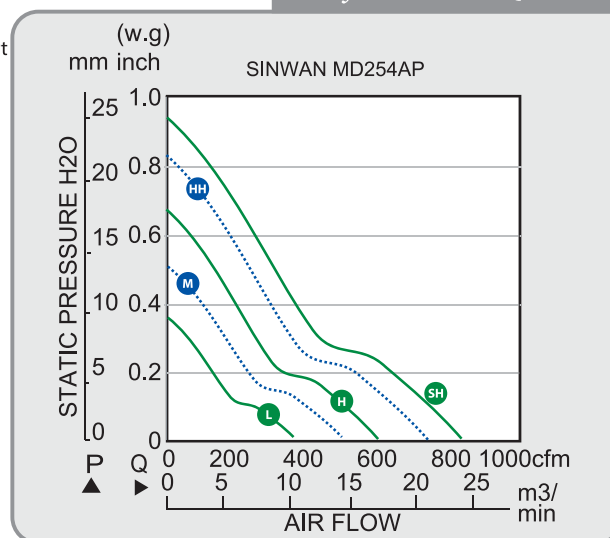
Frame: Aluminum die cast, black color(AP)  
Impeller: 3 blades, all metal  
Bearing: Two ball bearings  
Rotation: CCW seen on rotor  
Connection: Wire lead or terminal flat pin connecting  
Weight: 1900g

Electrical

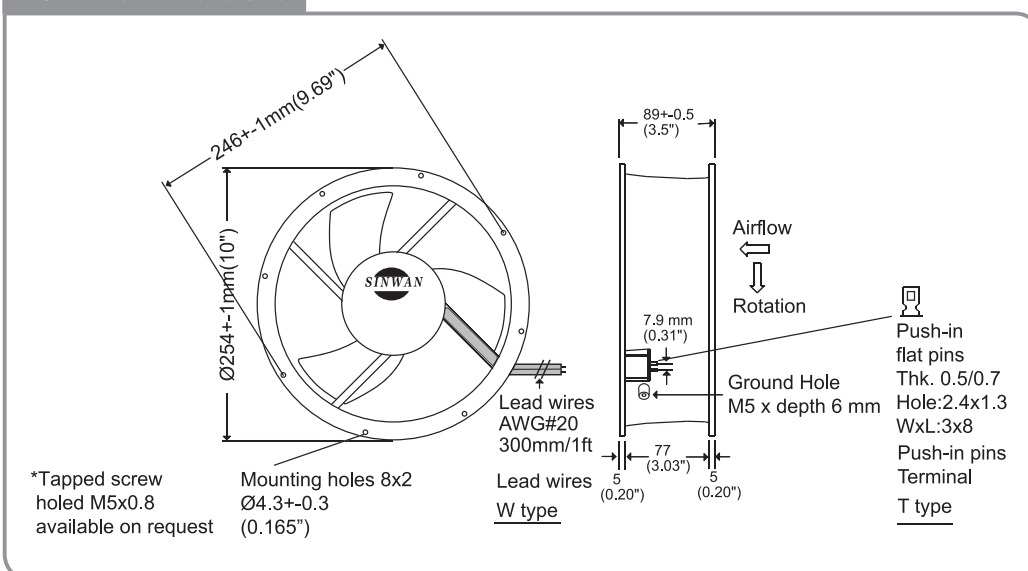
Dielectric Strength: 500 VAC/min. Max leakage 500mA  
Speed Control: Optional:PWM, S/C NTC thermister, S/V (0~10V) speed control on request  
Signal Output: Optional:R/D alarm output, tachometer output

Environment

Operating Temp: -20°C~+65°C (non-condensing)  
Storage Temp: -40°C~+80°C (at 65%RH)  
Life Expectancy: L10 50K hours at 50°C



► Outline Dimensions



Fan Accessories





# Dia.225x80mm / 8.6x3.15inch

## Max. 815 CFM

Metal Impeller DC Fan

Sinwan Model No.	Rated Voltage	Voltage Range	Input Power	Rated Current	Referenced Speed	Max. Airflow		Max. Static Pressure		Noise Level	PQ Curves
	VDC	VDC	Watt	A	RPM	CFM	m3/min	Inch/H2O	mm	dB (A)	
MD200AN-12SH**	12	9~13.6	64.8	5.4	3800	800	22.7	1.05	26.67	67	H
MD200AN-12HH**	12	9~13.6	50.4	4.2	2800	590	16.7	0.76	19.30	63	HH
MD200AN-12H**	12	9~13.6	23	1.9	2200	460	13	0.71	18.03	59	H
MD200AN-12M**	12	9~13.6	13.2	1.1	1800	380	10.8	0.64	16.26	53	M
MD200AN-12L**	12	9~14	5.5	0.45	1300	270	7.6	0.58	14.73	41	L
MD200AN-24SH**	24	16~27.6	63.6	2.65	3850	803	22.7	1.15	29.21	68	SH
MD200AN-24HH**	24	16~27.6	50.4	2.1	2800	590	16.7	0.77	19.56	63	HH
MD200AN-24H**	24	16~27.6	24	0.97	2200	460	13	0.71	18.03	59	H
MD200AN-24M**	24	16~28	13	0.52	1800	380	10.8	0.64	16.26	53	M
MD200AN-24L**	24	16~28	5	0.2	1300	270	7.6	0.58	14.73	41	L
MD200AN-48SH**	48	30~53	62.4	1.3	3900	815	23.1	1.25	31.75	68	SH
MD200AN-48HH**	48	30~53	49.4	1.03	2900	595	16.8	0.79	20.07	63	HH
MD200AN-48H**	48	30~53	23.5	0.48	2200	460	13	0.71	18.03	59	H
MD200AN-48M**	48	30~56	14.5	0.30	1800	380	10.8	0.64	16.26	53	M
MD200AN-48L**	48	30~58	5.8	0.12	1300	270	7.6	0.58	14.73	41	L

\*\* = "WB" for wire lead type Ball bearing, or "TB" for terminal type Ball bearing.

• Sinwan reserves the right to change data and improve electrical & mechanical design without notice. data tolerance +-10%

### Motor

Motor Type: Microprocessor brushless DC Motor, auto cutoff, auto restart  
 Burnout Protection: Electronically protected, polarity protected

### Mechanical

Frame: Aluminum die cast, natural color(AN)  
 Impeller: 7 blades, all metal  
 Bearing: Two ball bearings  
 Rotation: CCW seen on rotor  
 Connection: Wire lead or terminal flat pin connecting  
 Weight: -

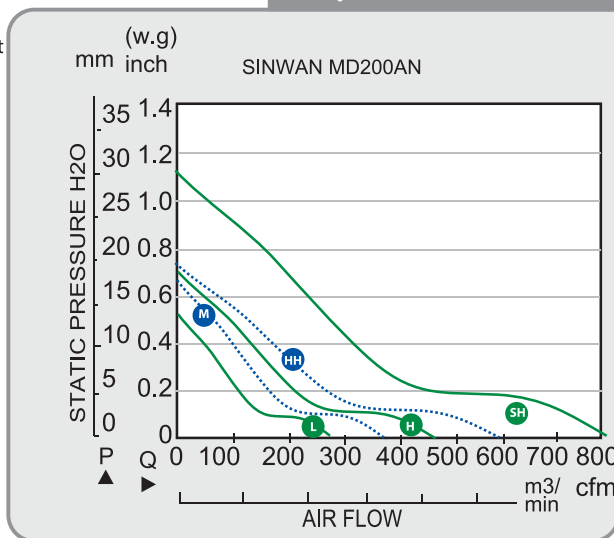
### Electrical

Dielectric Strength: 500 VAC/min. Max leakage 500mA  
 Speed Control: Optional:PWM, S/C NTC thermister, S/V (0~10V) speed control on request  
 Signal Output: Optional:R/D alarm output, tachometer output

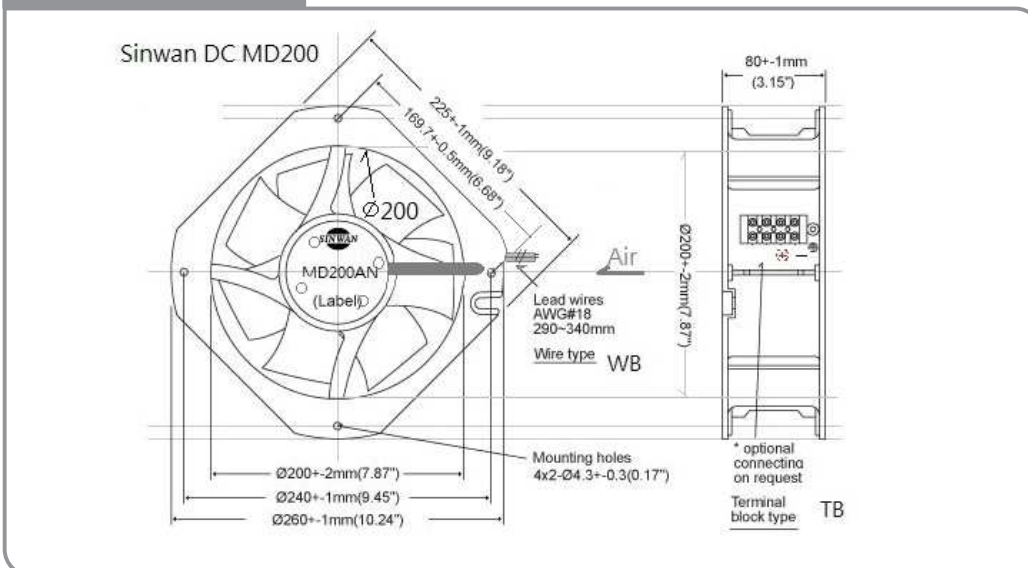
### Environment

Operating Temp: -20°C~+65°C (non-condensing)  
 Storage Temp: -40°C~+80°C (at 65%RH)  
 Life Expectancy: L10 50K hours at 50°C

### ► Performance P-Q Curves



### ► Outline Dimensions



### Fan Accessories





**Dia.200x70mm / 7.9x2.8inch**

**Max. 510 CFM**

**Metal Impeller DC Fan**

Sinwan Model No.	Rated Voltage	Voltage Range	Input Power	Rated Current	Referenced Speed	Max. Airflow		Max. Static Pressure		Noise Level	PQ Curves
	VDC	VDC	Watt	A	RPM	CFM	m3/min	Inch/H2O	mm	dB (A)	
MD200RAP-12SH**	12	9~13.6	64.8	5.4	3300	440	12.5	1.05	26.67	65	H
MD200RAP-12HH**	12	9~13.6	50.4	4.2	3100	420	11.9	0.98	24.89	62	HH
MD200RAP-12H**	12	9~13.6	23	1.9	2800	395	11.2	0.88	22.35	59	H
MD200RAP-12M**	12	9~13.6	13.2	1.1	2500	430	12.2	0.78	19.80	55	M
MD200RAP-12L**	12	9~14	5.5	0.45	1900	330	9.3	0.65	16.51	43	L
MD200RAP-24SH**	24	16~27.6	63.6	2.65	3900	510	14.4	1.25	31.75	68	SH
MD200RAP-24HH**	24	16~27.6	50.4	2.1	3600	475	13.5	1.15	29.21	66	HH
MD200RAP-24H**	24	16~27.6	24	0.97	3300	440	12.5	1.05	26.67	64	H
MD200RAP-24M**	24	16~28	13	0.52	2500	430	12.2	0.78	19.80	55	M
MD200RAP-24L**	24	16~28	5	0.2	1900	330	9.3	0.65	16.51	42	L
MD200RAP-48SH**	48	30~53	62.4	1.3	3900	510	14.4	1.25	31.75	68	SH
MD200RAP-48HH**	48	30~53	49.4	1.03	3600	475	13.5	1.15	29.21	66	HH
MD200RAP-48H**	48	30~53	23.5	0.48	3300	440	12.5	1.05	26.67	64	H
MD200RAP-48M**	48	30~56	14.5	0.30	2500	430	12.2	0.78	19.80	58	M
MD200RAP-48L**	48	30~58	5.8	0.12	1900	330	9.3	0.65	16.51	45	L

\*\* = "WB" for wire lead type Ball bearing, or "TB" for terminal type Ball bearing.

• Sinwan reserves the right to change data and improve electrical & mechanical design without notice. data tolerance +-10%

**Motor**

Motor Type: Microprocessor brushless DC Motor, auto cutoff, auto restart  
 Burnout Protection: Electronically protected, polarity protected

**Mechanical**

Frame: Aluminum die cast, black color(AP)  
 Impeller: 5 blades, all metal  
 Bearing: Two ball bearings  
 Rotation: CCW seen on rotor  
 Connection: Wire lead or terminal flat pin connecting  
 Weight: 1,800g

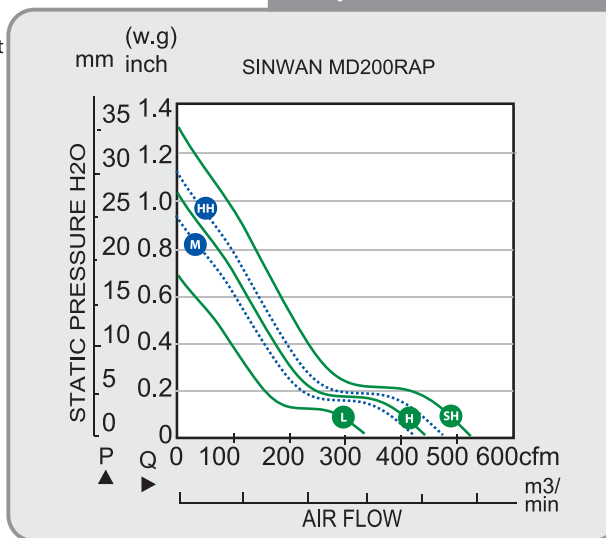
**Electrical**

Dielectric Strength: 500 VAC/min. Max leakage 500mA  
 Speed Control: Optional:PWM, S/C NTC thermister, S/V (0~10V) speed control on request  
 Signal Output: Optional:R/D alarm output, tachometer output

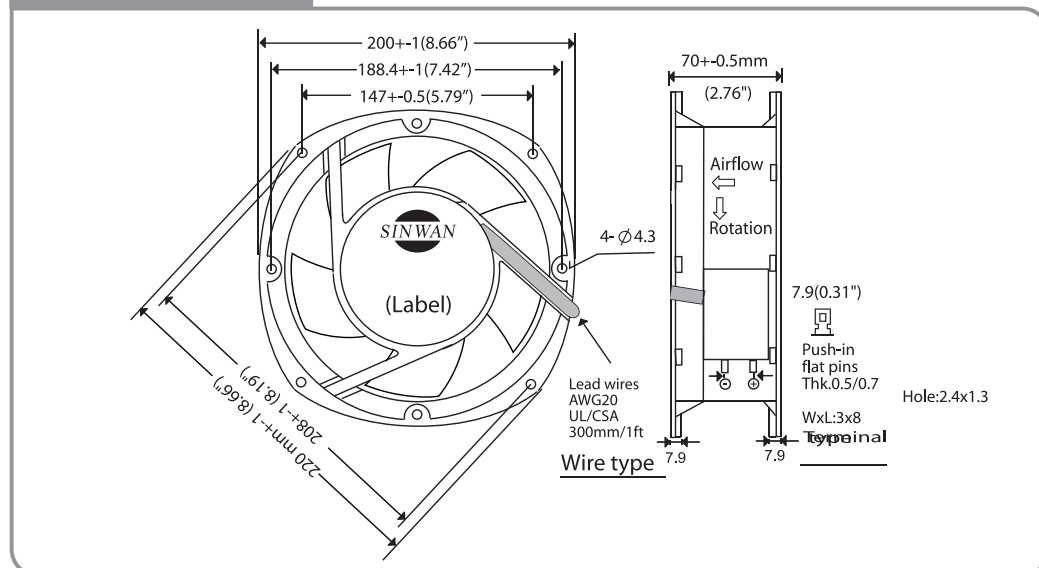
**Environment**

Operating Temp: -20°C~+65°C (non-condensing)  
 Storage Temp: -40°C~+80°C (at 65%RH)  
 Life Expectancy: L10 50K hours at 50°C

**► Performance P-Q Curves**



**► Outline Dimensions**



**Fan Accessories**



• DC • MD180GAP, FAP series



(GAP) (FAP)

**176x176x89mm / 7x3.5inch (GAP)**

**Max. 485 CFM**

**180x180x65mm / 7x2.5inch (FAP)**

**Max. 480 CFM**

**Metal Impeller DC Fan**

Sinwan Model No.	Rated Voltage	Voltage Range	Input Power	Rated Current	Referenced Speed	Max. Airflow		Max. Static Pressure		Noise Level	PQ Curves
	VDC	VDC	Watt	A	RPM	CFM	m3/min	Inch/H2O	mm	dB (A)	
MD180FAP-12SH**	12	9~13.8	64.8	5.4	3700	475	13.5	0.87	22.1	64	SH
MD180FAP-12HH**	12	9~13.8	50.4	4.2	3400	440	12.5	0.82	20.83	62	HH
MD180FAP-12H**	12	9~13.8	23	1.9	2800	360	10.2	0.72	18.29	58	H
MD180FAP-12M**	12	10~14	13.2	1.1	2200	295	8.4	0.55	13.97	49	M
MD180FAP-12L**	12	10~14	5.5	0.45	1600	220	6.2	0.38	9.65	38	L
MD180FAP-24SH**	24	12~27.6	63.6	2.65	3800	480	13.6	0.88	22.35	66	SH
MD180FAP-24HH**	24	12~27.6	50.4	2.1	3500	445	12.6	0.82	20.83	62	HH
MD180FAP-24H**	24	12~27.6	24	0.97	2800	360	10.2	0.72	18.29	58	H
MD180FAP-24M**	24	12~28	13	0.52	2200	295	8.4	0.55	13.97	49	M
MD180FAP-24L**	24	15~28	5	0.20	1600	220	6.2	0.38	9.65	38	L
MD180FAP-48SH**	48	24~53	62.4	1.3	3800	480	13.6	0.88	22.35	66	SH
MD180FAP-48HH**	48	24~53	49.4	1.03	3500	445	12.6	0.82	20.83	62	HH
MD180FAP-48H**	48	24~55	23.5	0.48	2800	360	10.2	0.72	18.29	58	H
MD180FAP-48M**	48	28~58	14.5	0.30	2200	295	8.4	0.55	13.97	49	M
MD180FAP-48L**	48	30~60	5.8	0.12	1600	220	6.2	0.38	9.65	38	L

\*\* = "WB" for wire lead type Ball bearing, or "TB" for terminal type Ball bearing.

• Sinwan reserves the right to change data and improve electrical & mechanical design without notice. data tolerance +-10%

**Motor**

Motor Type: Microprocessor brushless DC Motor, auto cutoff, auto restart  
 Burnout Protection: Electronically protected, polarity protected

**Mechanical**

Frame: Aluminum die cast, black color(AP)  
 Impeller: 5 blades, all metal  
 Bearing: Two ball bearings  
 Rotation: CW seen on rotor  
 Connection: Wire lead or terminal flat pin connecting  
 Weight: 1,400g

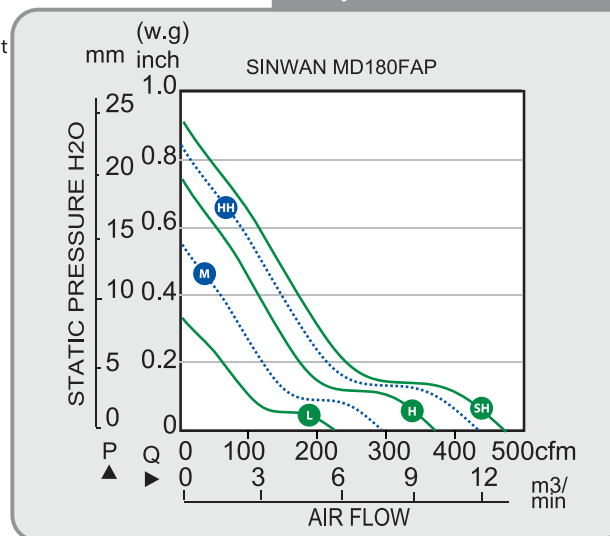
**Electrical**

Dielectric Strength: 500 VAC/min. Max leakage 500mA  
 Speed Control: Optional:PWM, S/C NTC thermister, S/V (0~10V) speed control on request  
 Signal Output: Optional:R/D alarm output, tachometer output

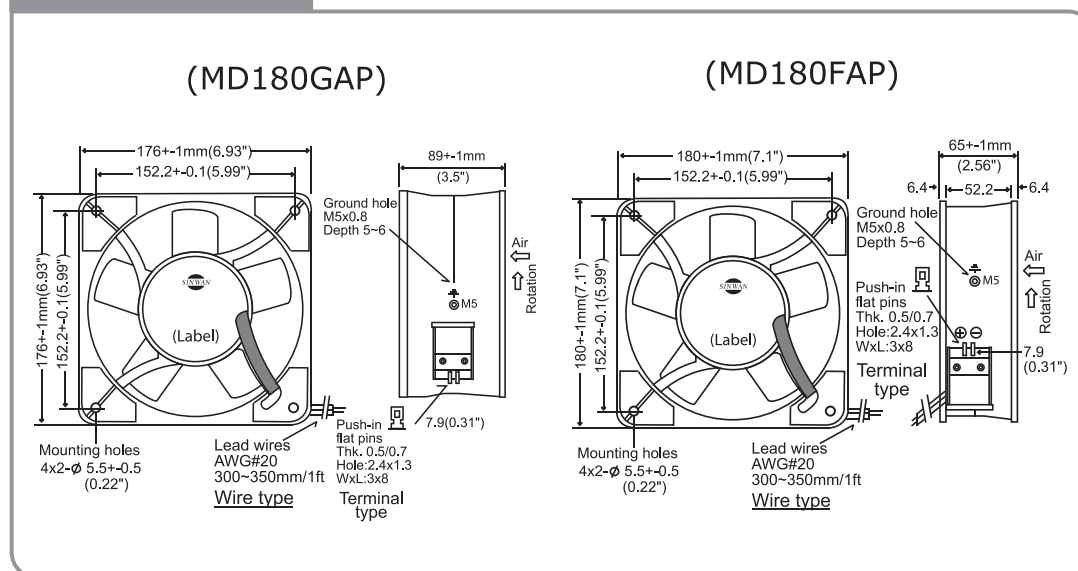
**Environment**

Operating Temp: -20°C~+65°C (non-condensing)  
 Storage Temp: -40°C~+80°C (at 65%RH)  
 Life Expectancy: L10 50K hours at 50°C

► Performance P-Q Curves



► Outline Dimensions



Fan Accessories





# 172x150x55mm / 5x2.17inch

## Max. 335 CFM

Metal Impeller DC Fan

Sinwan Model No.	Rated Voltage	Voltage Range	Input Power	Rated Current	Referenced Speed	Max. Airflow		Max. Static Pressure		Noise Level	PQ Curves
	VDC	VDC	Watt	A	RPM	CFM	m3/min	Inch/H2O	mm	dB (A)	
MD175EAP-12SH**7	12	8~14	64.8	5.4	4100	310	8.7	1.05	26.67	64	HH
MD175EAP-12HH**7	12	8~14	50.4	4.2	3900	295	8.4	0.97	24.64	60	H
MD175EAP-12H**7	12	8~14	23	1.9	3700	275	7.8	0.93	23.62	55	H
MD175EAP-12M**7	12	9~14	13.2	1.1	2800	210	5.9	0.70	17.78	46	M
MD175EAP-12L**7	12	9~15	5.5	0.45	2000	155	4.4	0.49	12.45	37	L
MD175EAP-24SH**7	24	15~28	63.6	2.65	4400	335	9.5	1.15	29.21	66	SH
MD175EAP-24HH**7	24	15~28	50.4	2.1	4200	318	9.0	1.08	27.43	64	HH
MD175EAP-24H**7	24	15~28	24	0.97	3900	295	8.4	0.97	24.64	60	H
MD175EAP-24M**7	24	17~28	13	0.52	2800	210	5.9	0.70	17.78	46	M
MD175EAP-24L**7	24	17~28	5	0.20	2000	155	4.4	0.49	12.45	37	L
MD175EAP-48SH**7	48	22~53	62.4	1.3	4400	335	9.5	1.15	29.21	66	SH
MD175EAP-48HH**7	48	22~53	49.4	1.03	4200	318	9.0	1.08	27.43	64	HH
MD175EAP-48H**7	48	22~55	23.5	0.48	3900	295	8.4	0.93	23.62	60	H
MD175EAP-48M**7	48	24~58	14.5	0.30	2800	210	5.9	0.70	17.78	46	M
MD175EAP-48L**7	48	24~60	5.8	0.12	2000	155	4.4	0.49	12.45	37	L

\*\* = "WB" for wire lead type Ball bearing, or "TB" for terminal type Ball bearing.

• Sinwan reserves the right to change data and improve electrical & mechanical design without notice. data tolerance +-10%

### Motor

Motor Type: Microprocessor brushless DC Motor, auto cutoff, auto restart  
 Burnout Protection: Electronically protected, polarity protected

### Mechanical

Frame: Aluminum die cast, black color(AP)  
 Impeller: 7 blades, all metal  
 Bearing: Two ball bearings  
 Rotation: CW seen on rotor  
 Connection: Wire lead  
 Weight: 920 g

### Electrical

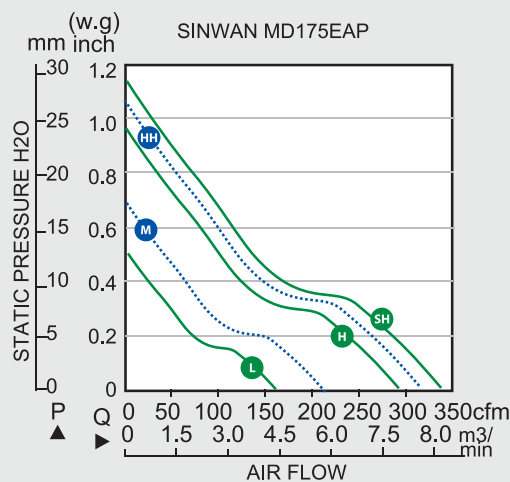
Dielectric Strength: 500 VAC/min. Max leakage 500mA  
 Speed Control: Optional:PWM, S/C NTC thermister, S/V (0~10V) speed control on request

Signal Output: Optional:R/D alarm output, tachometer output

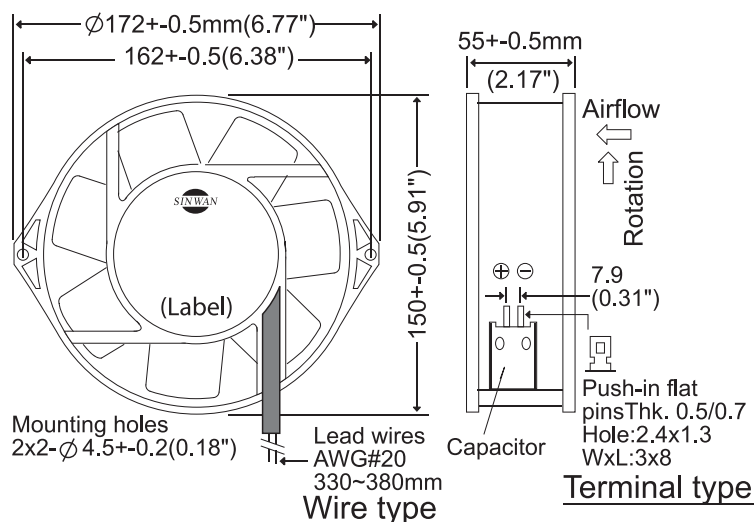
### Environment

Operating Temp: -20°C~+65°C (non-condensing)  
 Storage Temp: -40°C~+80°C (at 65%RH)  
 Life Expectancy: L10 50K hours at 50°C

### Performance P-Q Curves



### Outline Dimensions



### Fan Accessories

Metal Fan Guards  
G172-10H, G172-10HA  
P.39

Plastic Fan Guards  
G172P  
P.40

Plastic Fan Filter  
GRM172-30, GRM172-45  
P.41

Metal Fan Screens  
MF172S-30N  
P.42





# Dia.172x51 mm / 6.77x2inch

## Max. 325 CFM

Metal Impeller DC Fan

Sinwan Model No.	Rated Voltage	Voltage Range	Input Power	Rated Current	Referenced Speed	Max. Airflow		Max. Static Pressure		Noise Level	PQ Curves
	VDC	VDC	Watt	A	RPM	CFM	m3/min	Inch/H2O	mm	dB (A)	
MD175RAP-12SH**7	12	8~14	64.8	5.4	4300	320	9.1	1.15	29.21	65	SH
MD175RAP-12HH**7	12	8~14	50.4	4.2	4100	300	8.5	1.05	26.67	64	HH
MD175RAP-12H**7	12	8~14	23	1.9	3700	270	7.6	0.95	24.13	58	H
MD175RAP-12M**7	12	9~14	13.2	1.1	2800	200	5.7	0.80	20.32	45	M
MD175RAP-12L**7	12	9~15	5.5	0.45	2000	145	4.1	0.56	14.22	36	L
MD175RAP-24SH**7	24	15~27.6	63.6	2.65	4350	325	9.2	1.25	29.21	66	SH
MD175RAP-24HH**7	24	15~27.6	50.4	2.1	4200	310	8.8	1.15	26.67	64	HH
MD175RAP-24H**7	24	15~27.6	24	0.97	3800	285	8.1	1.05	26.67	58	H
MD175RAP-24M**7	24	17~28	13	0.52	2800	200	5.7	0.80	20.32	45	M
MD175RAP-24L**7	24	17~28	5	0.20	2000	145	4.1	0.56	14.22	36	L
MD175RAP-48SH**7	48	22~55	62.4	1.3	4350	325	9.2	1.25	29.21	66	SH
MD175RAP-48HH**7	48	22~55	49.4	1.03	4200	310	8.8	1.15	26.67	64	HH
MD175RAP-48H**7	48	22~55	23.5	0.48	3800	290	8.2	1.05	26.67	58	H
MD175RAP-48M**7	48	24~58	14.5	0.30	2800	200	5.7	0.80	20.32	45	M
MD175RAP-48L**7	48	24~60	5.8	0.12	2000	145	4.1	0.56	14.22	36	L

\*\* = "WB" for wire lead type Ball bearing, or "TB" for terminal type Ball bearing.

• Sinwan reserves the right to change data and improve electrical & mechanical design without notice. data tolerance +-10%

### ► Performance P-Q Curves

#### Motor

Motor Type: Microprocessor brushless DC Motor, auto cutoff, auto restart  
 Burnout Protection: Electronically protected, polarity protected

#### Mechanical

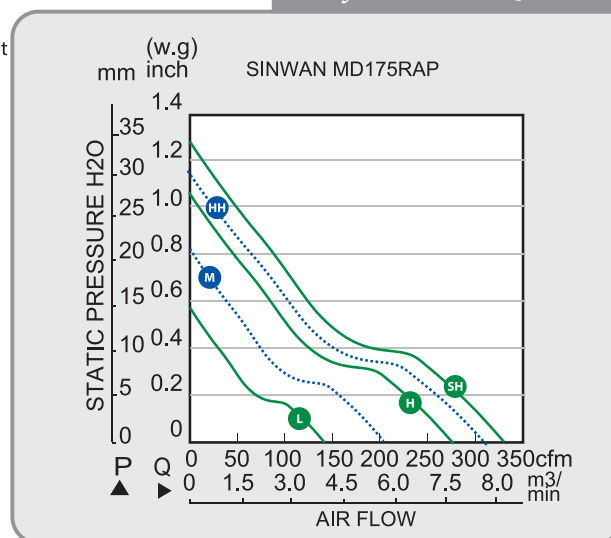
Frame: Aluminum die cast, black color(AP)  
 Impeller: 7 blades, all metal  
 Bearing: Two ball bearings  
 Rotation: CW seen on rotor  
 Connection: Wire lead or terminal flat pin connecting  
 Weight: 930 g

#### Electrical

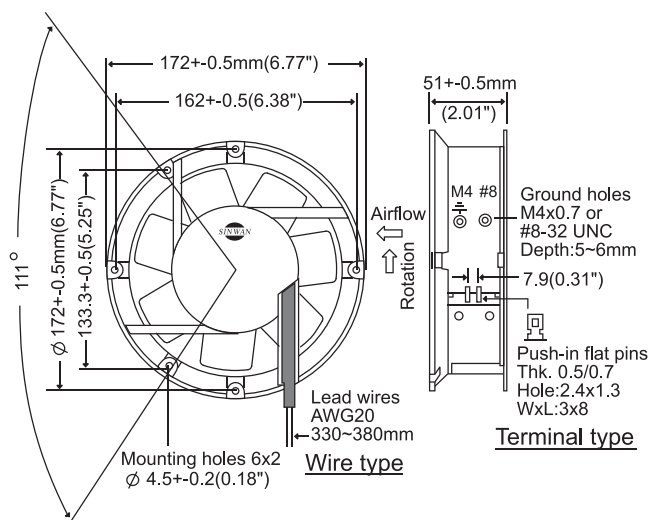
Dielectric Strength: 500 VAC/min. Max leakage 500mA  
 Speed Control: Optional:PWM, S/C NTC thermister, S/V (0~10V) speed control on request  
 Signal Output: Optional:R/D alarm output, tachometer output

#### Environment

Operating Temp: -20°C~+65°C (non-condensing)  
 Storage Temp: -40°C~+80°C (at 65%RH)  
 Life Expectancy: L10 50K hours at 50°C



### ► Outline Dimensions



#### Fan Accessories

Metal Fan Guards  
G172-10H, G172-10HA  
P.39

Plastic Fan Guards  
G172P  
P.40

Plastic Fan Filter  
GRM172-30, GRM172-45  
P.41

Metal Fan Screens  
MF172S-30N  
P.42



# 172x150x51mm / 6x2inch

## Max. 325 CFM

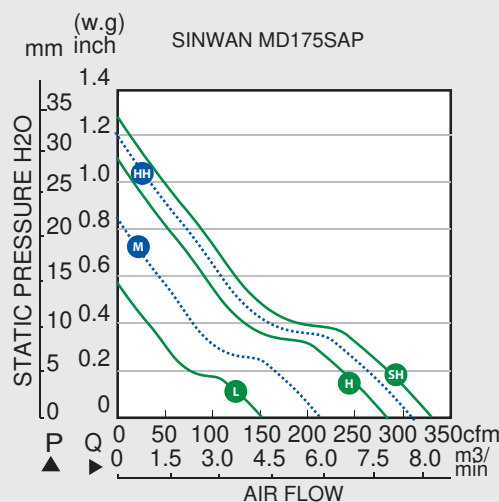
Metal Impeller DC Fan

Sinwan Model No.	Rated Voltage	Voltage Range	Input Power	Rated Current	Referenced Speed	Max. Airflow		Max. Static Pressure		Noise Level	PQ Curves
	VDC	VDC	Watt	A	RPM	CFM	m3/min	Inch/H2O	mm	dB (A)	
MD175SAP-12SH**7	12	8~14	64.8	5.4	4300	320	9.1	1.25	27.94	65	SH
MD175SAP-12HH**7	12	8~14	50.4	4.2	4100	300	8.5	1.2	26.67	63	HH
MD175SAP-12H**7	12	8~14	23	1.9	3700	275	7.8	0.95	24.13	55	H
MD175SAP-12M**7	12	9~14	13.2	1.1	2800	210	5.9	0.82	20.83	46	M
MD175SAP-12L**7	12	9~15	5.5	0.45	2000	150	4.2	0.58	14.73	37	L
MD175SAP-24SH**7	24	15~27.6	63.6	2.65	4350	325	9.2	1.25	31.75	66	SH
MD175SAP-24HH**7	24	15~27.6	50.4	2.1	4200	310	8.8	1.2	30.48	64	HH
MD175SAP-24H**7	24	15~27.6	24	0.97	3850	295	8.4	1.1	27.94	58	H
MD175SAP-24M**7	24	17~28	13	0.52	2800	210	5.9	0.82	20.83	45	M
MD175SAP-24L**7	24	17~28	5	0.20	2000	150	4.2	0.58	14.73	37	L
MD175SAP-48SH**7	48	22~55	62.4	1.3	4350	325	9.2	1.25	31.75	66	SH
MD175SAP-48HH**7	48	22~55	49.4	1.03	4200	310	8.8	1.2	30.48	64	HH
MD175SAP-48H**7	48	22~55	23.5	0.48	3850	295	8.4	1.1	27.94	58	H
MD175SAP-48M**7	48	24~58	14.5	0.30	2800	210	5.9	0.82	20.83	45	M
MD175SAP-48L**7	48	24~60	5.8	0.12	2000	150	4.2	0.58	14.73	37	L

\*\* = "WB" for wire lead type Ball bearing, or "TB" for terminal type Ball bearing.

• Sinwan reserves the right to change data and improve electrical & mechanical design without notice. data tolerance +-10%

### ► Performance P-Q Curves



#### Motor

Motor Type: Microprocessor brushless DC Motor, auto cutoff, auto restart  
 Burnout Protection: Electronically protected, polarity protected

#### Mechanical

Frame: Aluminum die cast, black color(AP)  
 Impeller: 7 blades, all metal  
 Bearing: Two ball bearings  
 Rotation: CW seen on rotor  
 Connection: Wire lead or terminal flat pin connecting  
 Weight: 920 g

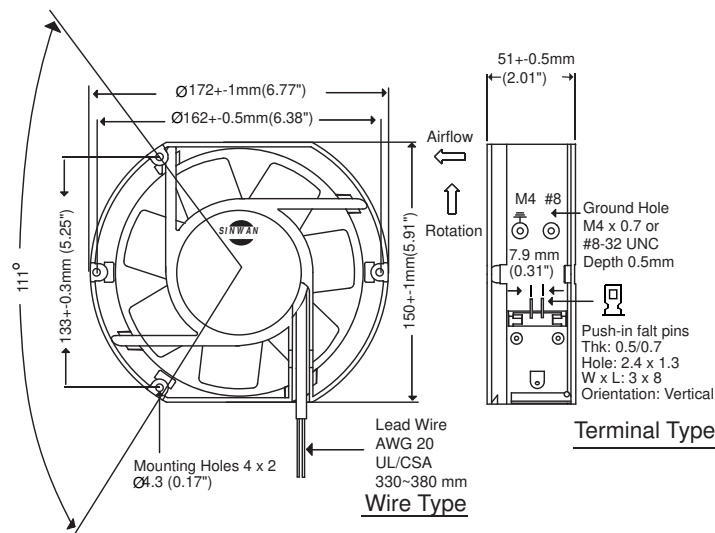
#### Electrical

Dielectric Strength: 500 VAC/min. Max leakage 500mA  
 Speed Control: Optional:PWM, S/C NTC thermister, S/V (0~10V) speed control on request  
 Signal Output: Optional:R/D alarm output, tachometer output

#### Environment

Operating Temp: -20°C~+65°C (non-condensing)  
 Storage Temp: -40°C~+80°C (at 65%RH)  
 Life Expectancy: L10 50K hours at 50°C

### ► Outline Dimensions



#### Fan Accessories

- Metal Fan Guards  
G172-10H, G172-10HA  
P.39
- Plastic Fan Guards  
G172P  
P.40
- Plastic Fan Filter  
GRM172-30, GRM172-45  
P.41
- Metal Fan Screens  
MF172S-30N  
P.42





# 172x150x38.5mm / 6x1.5inch

## Max. 270 CFM

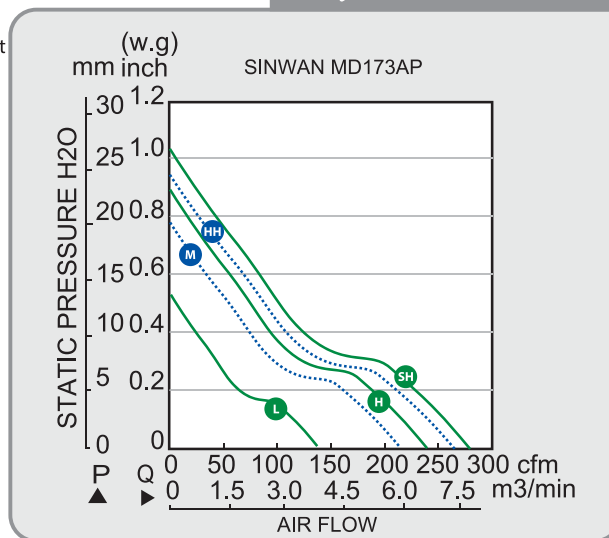
Metal Impeller DC Fan

Sinwan Model No.	Rated Voltage	Voltage Range	Input Power	Rated Current	Referenced Speed	Max. Airflow		Max. Static Pressure		Noise Level	PQ Curves
	VDC	VDC	Watt	A	RPM	CFM	m3/min	Inch/H2O	mm	dB (A)	
MD173AP-12SH**	12	7~13.8	64.8	5.4	4200	260	7.4	0.98	24.89	63	SH
MD173AP-12HH**	12	7~13.8	50.4	4.2	4000	250	7.1	0.93	23.62	61	HH
MD173AP-12H**	12	7~13.8	23	1.9	3800	230	6.5	0.90	22.86	57	H
MD173AP-12M**	12	7~13.8	13.2	1.1	3300	215	6.1	0.79	20.07	46	M
MD173AP-12L**	12	5.5	5.5	0.45	2000	130	3.7	0.5	12.7	39	L
MD173AP-24SH**	24	15~27.6	63.6	2.65	4300	270	7.6	1.03	26.16	64	SH
MD173AP-24HH**	24	15~27.6	50.4	2.1	4100	255	7.2	0.94	23.88	62	HH
MD173AP-24H**	24	15~27.6	24	0.97	3850	240	6.8	0.93	23.62	57	H
MD173AP-24M**	24	15~27.6	13	0.52	3300	215	6.1	0.79	20.07	46	M
MD173AP-24L**	24	15~28	5	0.20	2000	130	3.7	0.5	12.7	39	L
MD173AP-48SH**	48	22~53	62.4	1.3	4300	270	7.6	1.03	26.16	64	SH
MD173AP-48HH**	48	22~53	49.4	1.03	4100	255	7.2	0.94	23.88	62	HH
MD173AP-48H**	48	22~55	23.5	0.48	3850	240	6.8	0.93	23.62	57	H
MD173AP-48M**	48	22~58	14.5	0.30	3300	215	6.1	0.79	20.07	46	M
MD173AP-48L**	48	22~60	5.8	0.12	2000	130	3.7	0.5	12.7	39	L

\*\* = "WB" for wire lead type Ball bearing, or "TB" for terminal type Ball bearing.

• Sinwan reserves the right to change data and improve electrical & mechanical design without notice. data tolerance +-10%

### ▶ Performance P-Q Curves



#### Motor

Motor Type: Microprocessor brushless DC Motor, auto cutoff, auto restart  
 Burnout Protection: Electronically protected, polarity protected

#### Mechanical

Frame: Aluminum die cast, black color(AP)  
 Impeller: 5 blades, all metal  
 Bearing: Two ball bearings  
 Rotation: CW seen on rotor  
 Connection: Wire lead or terminal flat pin connecting  
 Weight: 640 g

#### Electrical

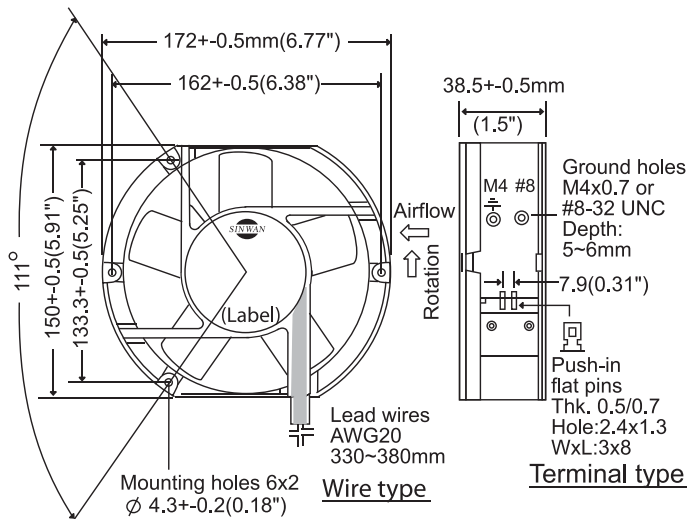
Dielectric Strength: 500 VAC/min. Max leakage 500mA  
 Speed Control: Optional:PWM, S/C NTC thermister, S/V (0~10V) speed control on request

Signal Output: Optional:R/D alarm output, tachometer output

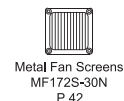
#### Environment

Operating Temp: -20°C~+65°C (non-condensing)  
 Storage Temp: -40°C~+80°C (at 65%RH)  
 Life Expectancy: L10 50K hours at 50°C

### ▶ Outline Dimensions



#### Fan Accessories





# Dia.120x120x38mm / 4.7x1.5inch

## Max. 140 CFM

Metal Impeller DC Fan, High Performance

Sinwan Model No.	Rated Voltage	Voltage Range	Input Power	Rated Current	Referenced Speed	Max. Airflow		Max. Static Pressure		Noise Level	PQ Curves
	VDC	VDC	Watt	A	RPM	CFM	m3/min	Inch/H2O	mm	dB (A)	
MD1238AP-05EH**	5	4~6	15	3	3200	120	3.4	0.42	10.67	44	SH
MD1238AP-05SH**	5	4~6	9.5	1.9	2800	103	2.9	0.37	9.4	41	HH
MD1238AP-05HH**	5	4~6	8	1.6	2500	94	2.7	0.35	8.89	36	H
MD1238AP-12EH**	12	8~13.8	15	1.3	3800	140	4	0.45	11.43	46	EH
MD1238AP-12SH**	12	8~13.8	10.6	0.88	3200	120	3.4	0.40	10.16	41	SH
MD1238AP-12HH**	12	10~13.8	8.4	0.7	3000	110	3.1	0.38	9.65	41	HH
MD1238AP-12H**	12	8~13.8	6	0.5	2500	94	2.7	0.35	8.89	35	H
MD1238AP-24EH**	24	12~27.6	15	0.62	3800	140	4	0.45	11.43	47	EH
MD1238AP-24SH**	24	12~27.6	10.3	0.43	3600	130	3.7	0.40	10.16	45	SH
MD1238AP-24HH**	24	12~27.6	8.4	0.35	3000	110	3.1	0.38	9.65	41	HH
MD1238AP-38EH**	38	24~44	15	0.4	3800	140	4	0.45	11.43	47	EH
MD1238AP-38SH**	38	24~44	10.5	0.28	3200	120	3.4	0.40	10.16	45	SH
MD1238AP-48EH**	48	38~55	15	0.32	3800	140	4	0.45	11.43	47	EH
MD1238AP-48SH**	48	38~55	10.6	0.22	3600	130	3.7	0.40	10.16	45	SH
MD1238AP-48HH**	48	38~55	7.7	0.16	3000	110	3.1	0.38	9.65	41	HH

\*\* = "WB" for wire lead type Ball bearing, or "TB" for terminal type Ball bearing.

• Sinwan reserves the right to change data and improve electrical & mechanical design without notice. data tolerance +-10%

### Motor

Motor Type: Brushless DC motor, alarm, tach, pwm, thermal speed controls

Burnout Protection: Electronically protected, polarity protected

### Mechanical

Frame: Aluminum die cast, black color(AP)

Impeller: 5 blades, all metal

Bearing: Two ball bearings

Rotation: CCW seen on rotor

Connection: Wire lead or terminal flat pin connecting

Weight: 440g

### Electrical

Dielectric Strength: 500 VAC/min. Max leakage 500mA

Speed Control: Optional:PWM, S/C NTC thermister, S/V (0~10V) speed control on request

Signal Output: Optional:R/D alarm output, tachometer output

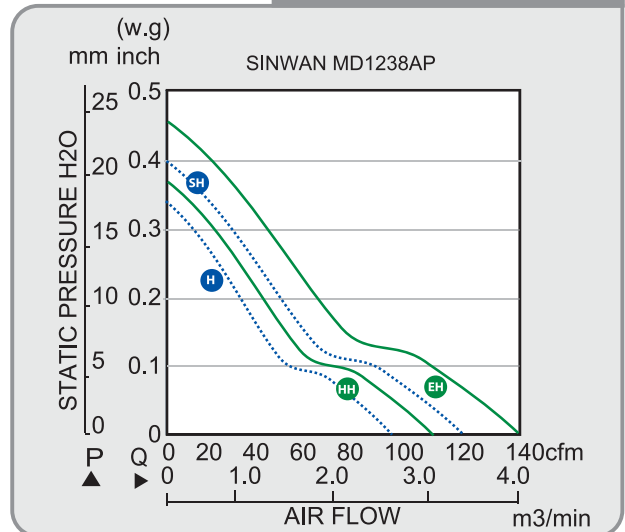
### Environment

Operating Temp: -20°C~+65°C (non-condensing)

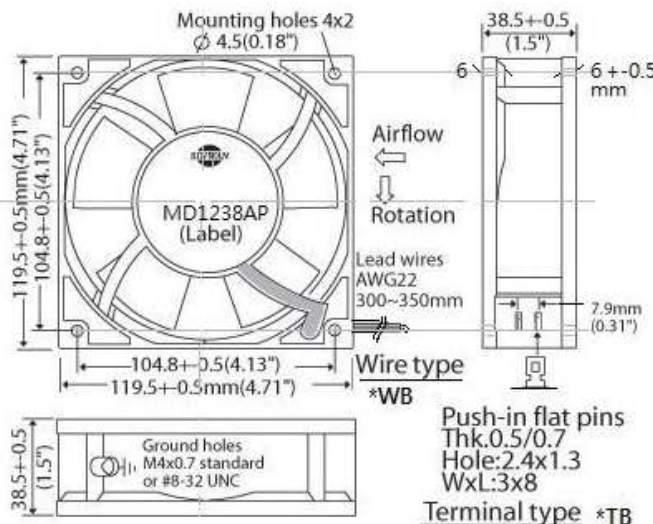
Storage Temp: -25°C~+80°C (at 65%RH)

Life Expectancy: L10 80K hours at 45°C, 40K hours at 55°C

### ► Performance P-Q Curves



### ► Outline Dimensions



### Fan Accessories

- Metal Fan Guards  
G109-15A, G109-15B, G109-17  
P.39
- Plastic Fan Guards  
G119P2, G119P4, G120P  
G120P2, G120P25F, G120P4  
P.40
- Plastic Fan Filter  
GRM120-30, GRM120-45  
P.41
- Metal Fan Screens  
MF120S-30N  
P.42

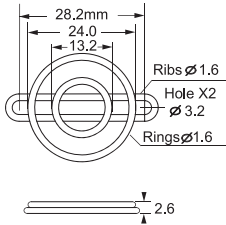


# Fan Accessories

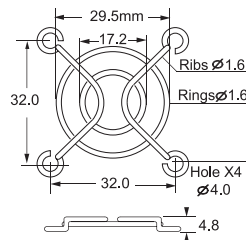
## Metal Fan Guards

Steel wires, electroplated finish cosmetics, nickel chrome plated, bright color.  
 Black color electro deposit available on request.  
 Welding joints strength to meet UL Standards minimum 100kgs (220 lbs) separation force.  
 Patterned push-on type wire form metal guards are available on request.  
 Customer's design is acceptable & welcome!

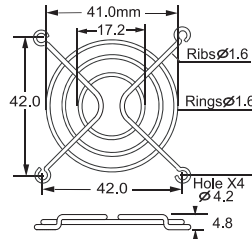
**25mm(1")** G25-2U



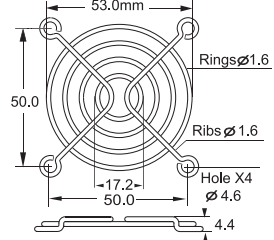
**40mm(1.57")** G40-2



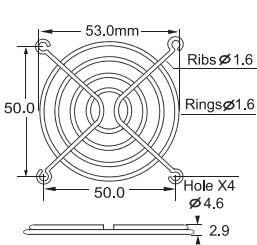
**50mm(2")** G50-3



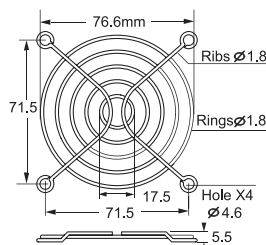
**60mm(2.36")** G60-4



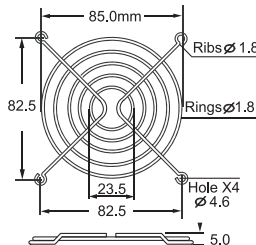
**60mm(2.36")** G60-4F



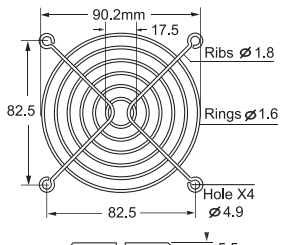
**80mm(3.15")** G80-18



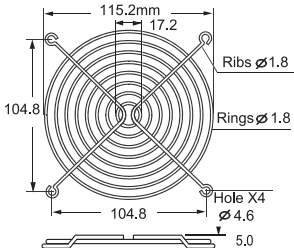
**92mm(3.62")** G92-13



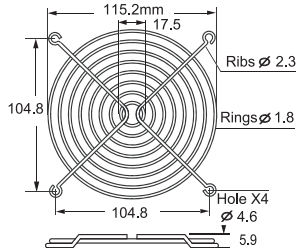
**92mm(3.62")** G92-16



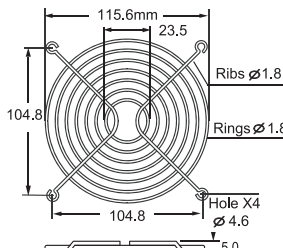
**120mm(4.7")** G109-15A



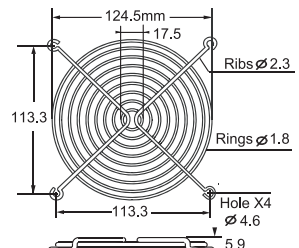
**120mm(4.7")** G109-15B



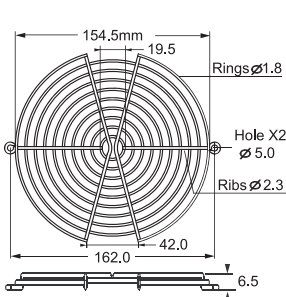
**120mm(4.7")** G109-17



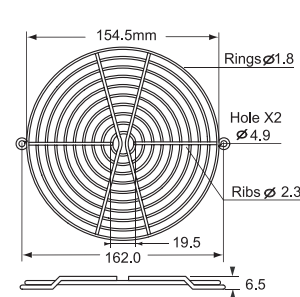
**127mm(5")** G127-8



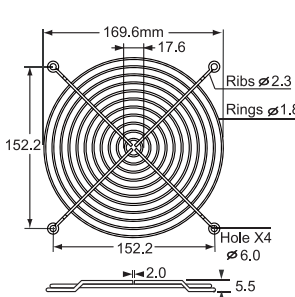
**172mm(6")** G172-10H



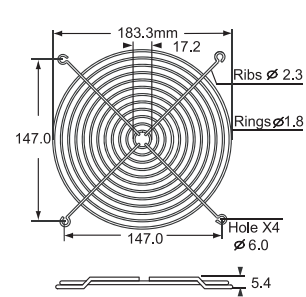
**172mm(6")** G172-10HA



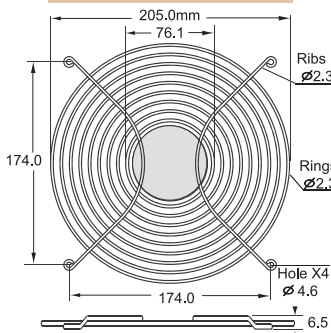
**180mm(7")** G180-11



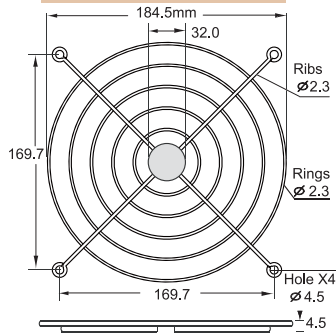
**200mm(7.87")** G200-12



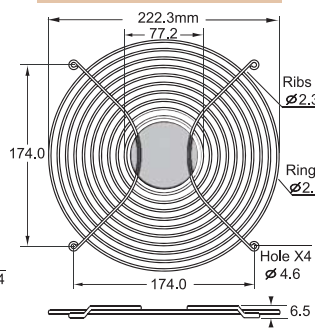
**205mm(8.07")** G205-8D



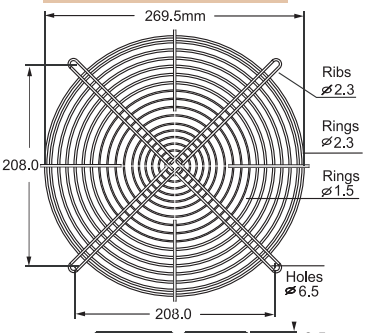
**225mm(8.9")** G225-5DF



**254mm(10")** G254-9D



**280mm(11")** G280-17U

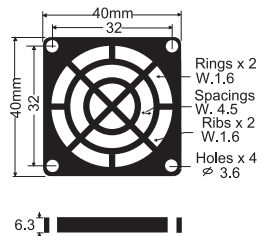


# Fan Accessories

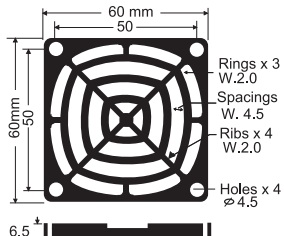
## Plastic Fan Guards

Glass fiber reinforced ABS UL-94-V0 for thru hole types (Gxx-P4 series)  
 Reinforced thermoplastic Nylon UL94HB for push-on types(Gxx-P2 series)  
 Quality and safety guards full range from 25-300mm (1-11 inch).  
 Customers' designs and special specifications are welcome!

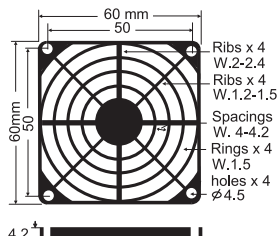
**40mm(1.57")** G40P



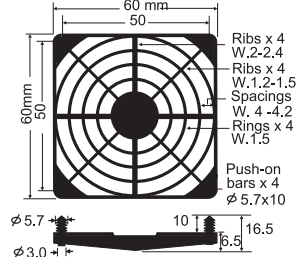
**60mm(2.36")** G60P



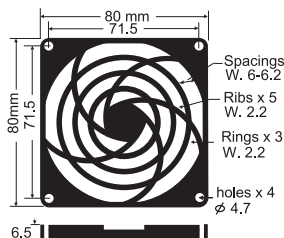
**60mm(2.36")** G60P4



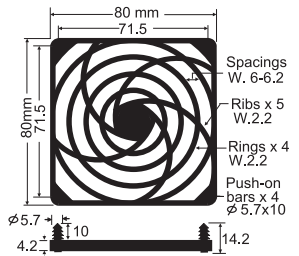
**60mm(2.36")** G60P2



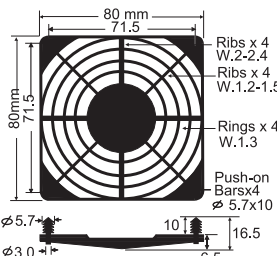
**80mm(3.15")** G80P



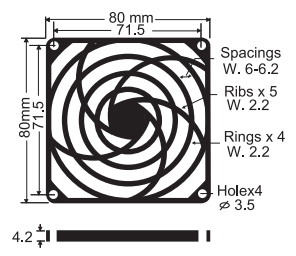
**80mm(3.15")** G80P2



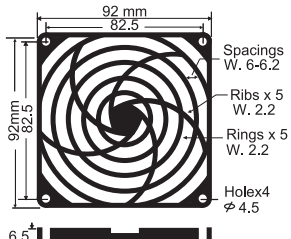
**80mm(3.15")** G80P2A



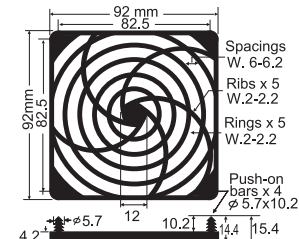
**80mm(3.15")** G80P4



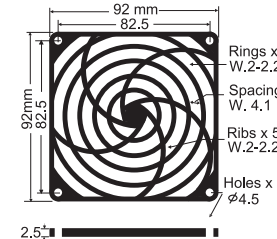
**92mm(3.62")** G92P



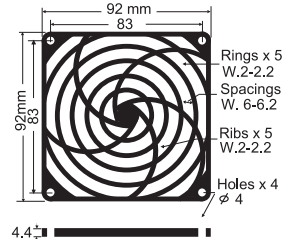
**92mm(3.62")** G92P2



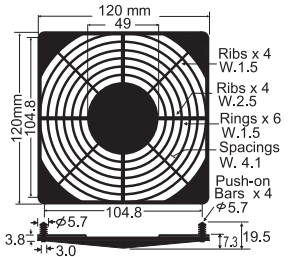
**92mm(3.62")** G92P5F



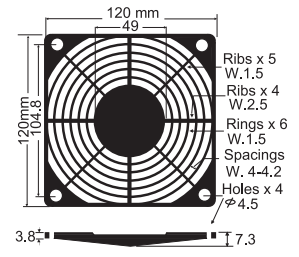
**92mm(3.62")** G92P4



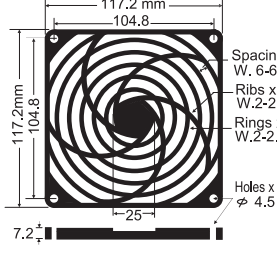
**120mm(4.7")** G119P2



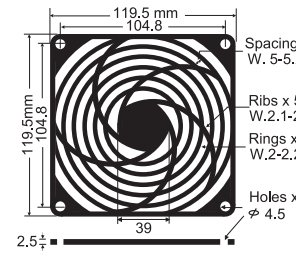
**120mm(4.7")** G119P4



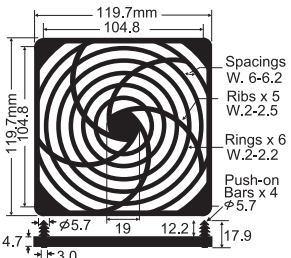
**120mm(4.7")** G120P



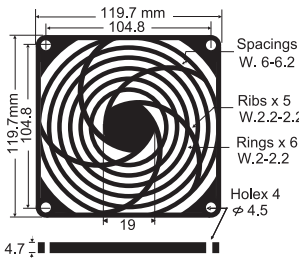
**120mm(4.7")** G120P25F



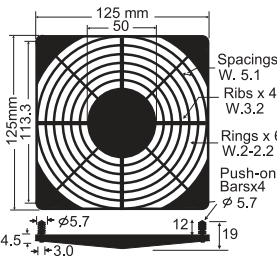
**120mm(4.7")** G120P2



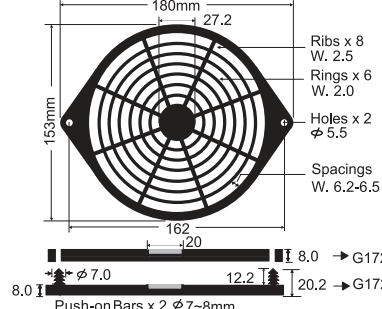
**120mm(4.7")** G120P4



**127mm(5")** G127P2






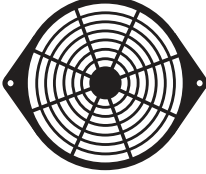


**150,172mm(3.15")** G172P/172P2

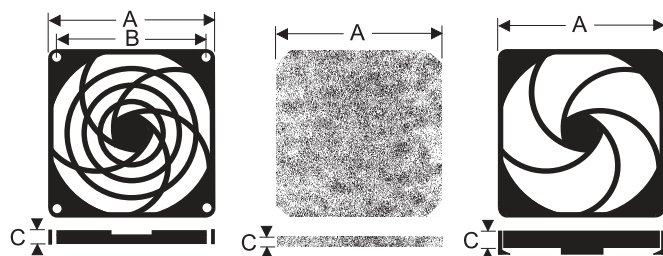
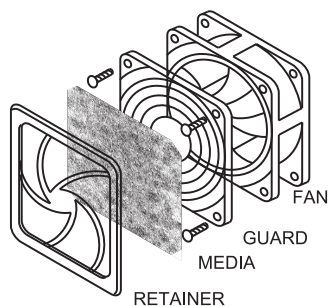


# Fan Accessories

## Plastic Filter Kit

Miniature	For Fan Size	Part No.	Description	Dimension (mm)		
				A	B	C
	1 9/16" 40 □ mm	G40P	Guard	40.0	32	6.3
		R40P	Retainer	37.0		3.2
		M40-30,45	Media 30 or 45 PPI	37.0		3.0
		GRM 40-30	Guard + Retainer + Media 30 PPI	40.0	32	6.3
		GRM 40-45	Guard + Retainer + Media 45 PPI	40.0	32	6.3
	2 3/8" 60 □ mm	G60P	Guard	60.0	50	6.5
		R60P	Retainer	56.2		3.2
		M60-30,45	Media 30 or 45 PPI	57.0		3.0
		GRM 60-30	Guard + Retainer + Media 30 PPI	60.0	50	6.5
		GRM 60-45	Guard + Retainer + Media 45 PPI	60.0	50	6.5
	3 1/8" 80 □ mm	G80P	Guard	80.0	71.5	6.5
		R80P	Retainer	83.6		9.8
		M80-30,45	Media 30 or 45 PPI	78.0		3.0
		GRM 80-30	Guard + Retainer + Media 30 PPI	83.6	71.5	9.8
		GRM 80-45	Guard + Retainer + Media 45 PPI	83.6	71.5	9.8
	3 5/8" 92 □ mm	G92P	Guard	92.0	82.5	6.4
		R92P	Retainer	96.5		9.9
		M92-30,45	Media 30 or 45 PPI	90.0		3.0
		GRM 92-30	Guard + Retainer + Media 30 PPI	96.5	82.5	9.9
		GRM 92-45	Guard + Retainer + Media 45 PPI	96.5	82.5	9.9
	4 11/16" 120 □ mm	G120P	Guard	117.0	104.8	7.2
		R120P	Retainer	123.7		10.8
		M120-30,45	Media 30 or 45 PPI	115.0		3.0
		GRM 120-30	Guard + Retainer + Media 30 PPI	123.7	104.8	10.8
		GRM 120-45	Guard + Retainer + Media 45 PPI	123.7	104.8	10.8
	6" Ø172,150mm	G172P	Guard	Ø180 x Ø153 x 8 Ø180 x Ø153 x 8 Ø180 x Ø153 x 8		
		R172P	Retainer			
		M172-30,45	Media 30 or 45 PPI			
		GRM 172-30	Guard + Retainer + Media 30 PPI			
		GRM 172-45	Guard + Retainer + Media 45 PPI			

Material: \* PU foam for media, mesh 30 or 45 PPI for choice  
 \* Reinforced ABS UL94-V0 for guard & retainer  
 \* Standard color black. Any other colors are available on request



# Fan Accessories

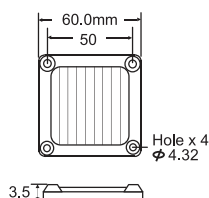
## Metal Fan Screens

### General Description

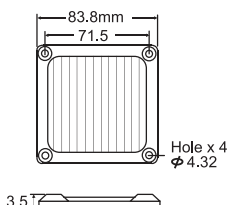
- Tightly woven steel corrugated mesh screen encased in a formed aluminum frame (\*Woven aluminum corrugated mesh screen on request)
- Screen hole mesh 30 PPI normally
- Built for ruggedness and durability, cleanable and easy for service
- Decreasing noise level while creating low air restriction
- To provide maximum airflow with effective filtering
- Different finishes are available for cosmetic purposes



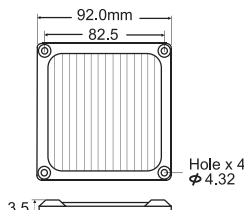
**60mm(2.36")**  
**MF60S-30N**



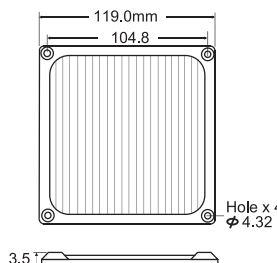
**80mm(3.15")**  
**MF80S-30N**



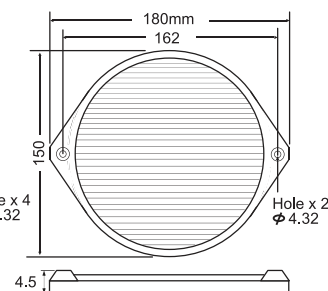
**92mm(3.62")**  
**MF92S-30N**



**120mm(4.7")**  
**MF120S-30N**



**172mm(6")**  
**MF172S-30N**



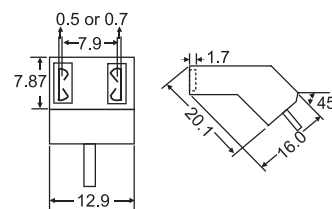
## Fan Power Cords

### Specifications:

- \* Choice of push-in fan terminal pin thickness 0.5 or 0.7mm, to connect 0.5 or 0.7mm fit tab
- \* High quality fan plug cords are designed to fit any fans, with cord SPT-1, AWG 18 x 2C, 105C, UL/CSA.
- \* Cord lengths described in mm. any lengths will be available on request.
- \* Cord ends stripped & tinned or terminated, with connectors available on request.
- \* Daisy chains with provisions for multiple fan connections available with any of the four plug head designs. Designed to customer's specification.
- \* Daisy Chains Model No:  
DSC180-05-XXX-AB\*-BC\*...-XX  
DSC180-05 = Series C45-05/07, C180-05/07, C180B-05/07  
XXX = 2AB, 3ABC, 4ABCD, 5ABCDE ...numbers of plug  
-AB\*-BC\*-CD\*... \* = mm, cord L. between plugs A-B,B-C,C-D..  
XX = end cord length, mm

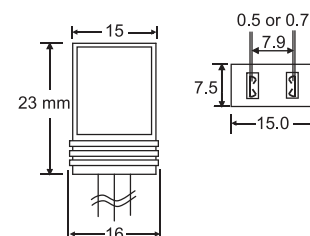
**C45-05, C45-07**

Angled 45 Degree Type 0.5mm or 0.7mm push-in fit tab



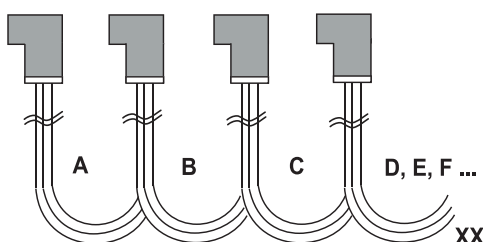
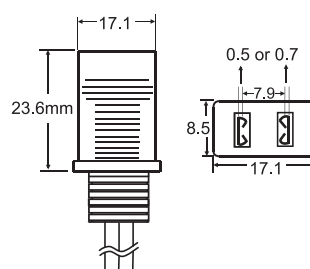
**C180-05, C180-07**

Straight Type 0.5mm or 0.7mm push-in fit tab



**C180B-05, C180B-07**

Straight Type 0.5mm or 0.7mm push-in fit tab



# SINWAN AC Motors

## Outer Rotor



ME A280G (Dia.92 x L.100)  
Max. Loading 210W



ME A254G (Dia.92 x L.88)  
Max. Loading 105W



ME A180G (Dia.92 x L.80)  
Max. Loading 80W



ME A176F (Dia.74.5 x L.70)  
Max. Loading 70W



ME A172E (Dia.74.5 x L.63)  
Max. Loading 47W



ME A150 (Dia.74.5 x L.44)  
Max. Loading 40W



ME A127 (Dia.59 x L.39)  
Max. Loading 29W



ME A109 (Dia.59 x L.36)  
Max. Loading 21W



ME A1232 (Dia.59 x L.29)  
Max. Loading 19W



ME A938 (Dia.59 x L.36)  
Max. Loading 17W



ME A838 (Dia.59 x L.36)  
Max. Loading 15W

## Inner Rotor



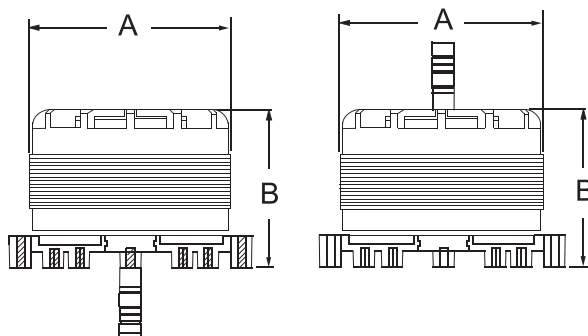
MIA109 (Dia.59.5 x L.41)  
Max. Loading 20W



MIA825 (Dia.59.5 x L.33)  
Max. Loading 13W

SINWAN  
Email: [sinwanfan@sinwan.com.tw](mailto:sinwanfan@sinwan.com.tw)  
<http://www.sinwan.com.tw>

### Information



Model No./Series	Dimensions AxB mm
ME A280G	Dia.92 x L.100
ME A254G	Dia.92 x L.88
ME A180G	Dia.92 x L.80
ME A176F	Dia.74.5 x L.70
ME A172E	Dia.74.5 x L.63
ME A150	Dia.74.5 x L.44
ME A127	Dia.59 x L.39
ME A109	Dia.59 x L.36
ME A1232	Dia.59 x L.29
ME A938	Dia.59 x L.36
ME A838	Dia.59 x L.36
MIA109	Dia.59 x L.36
MIA825	Dia.59.5 x L.33

- 100, 200, 240V or special voltages 12, 24, 28, 38, 42, 48, 380, 440, 480V... 50/60Hz, & any voltages available.
- Dual speed High/Medium 1/2, Medium/Low 2/3 available on request.
- Sinwan reserves the right to change data and improve electrical & mechanical design without notice.

# SINWAN DC Motors



MED280GAN (Dia.89 x L.85mm)  
Max. Loading 150W



MED254GAN (Dia.89 x L.85mm)  
Max. Loading 120W



MED178AN (Dia.77.4 x L.56mm)  
Max. Loading 70W



MED175AN (Dia.77.4 x L.51mm)  
Max. Loading 60W



MED173AN (Dia.77.4 x L.43mm)  
Max. Loading 30W



MED127AN (Dia.60 x L.42mm)  
Max. Loading 16W



MED1238AN (Dia.60 x L.42mm)  
Max. Loading 12W

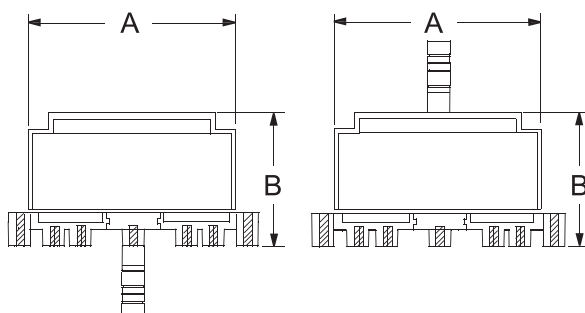


MED1225AN (Dia.60 x L.32mm)  
Max. Loading 8W



MED8025PT (Dia.32.5 x L.23mm)  
Max. Loading 4W

## Information



Model No./Series	Dimensions AxB mm
MED280GAN	Dia.89 x L.85
MED254GAN	Dia.89 x L.85
MED178AN	Dia.77.4 x L.56
MED175AN	Dia.77.4 x L.51
MED173AN	Dia.77.4 x L.43
MED127AN	Dia.60 x L.42
MED1238AN	Dia.60 x L.42
MED1225AN	Dia.60 x L.32
MED8225PT	Dia.32.5 x L.23

• Sinwan reserves the right to change data and improve electrical & mechanical design without notice.



**Sinwan Electric Industries Co., Ltd.**

8F., No.18, Ln. 270, Sec. 3, Beishen Rd., Shenkeng Dist.,

New Taipei City 222, Taiwan (R.O.C.)

Tel: +886-2-2662-0728 Fax: +886-2-2662-7019

Email: [sinwanfan@sinwan.com.tw](mailto:sinwanfan@sinwan.com.tw)

[www.sinwan.com.tw](http://www.sinwan.com.tw)

2014-16  
edition

**Distributor :**

A large, empty rounded rectangular box with a thin black border, intended for the distributor's name and contact information.